

EAN: 6414150098369  
[static.oras.com/7462U-33](http://static.oras.com/7462U-33)



- Bath tub & Shower
- Thermostatic
- Wall mounted
- Matt black
- Fixed spout
- Standard aerator
- Temperature control handle, Flow control handle
- Turn operated diverter, Integrated into flow control handle
- Eco flow control
- Safety stop against scalding at 38°C, Temperature preset fixable
- Litter filter(s), Non-return valve(s), Thermostatic cartridge for automatic temperature control
- Eccentric coupling(s), Cover plate(s), Silencer(s)

## Technical data

### Flow properties

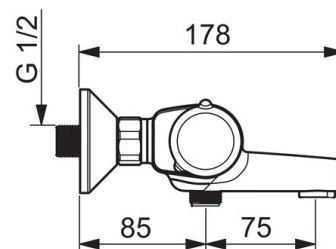
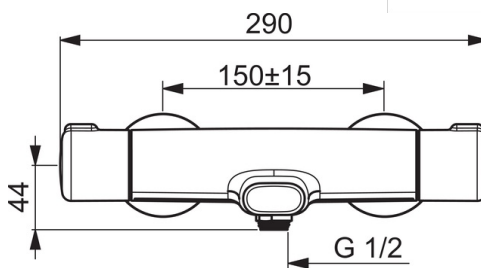
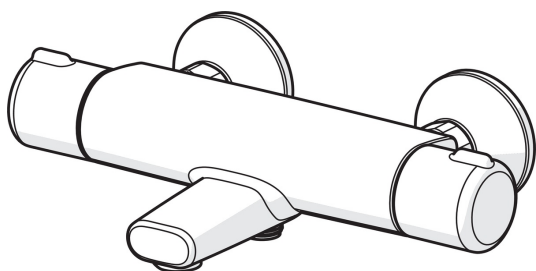
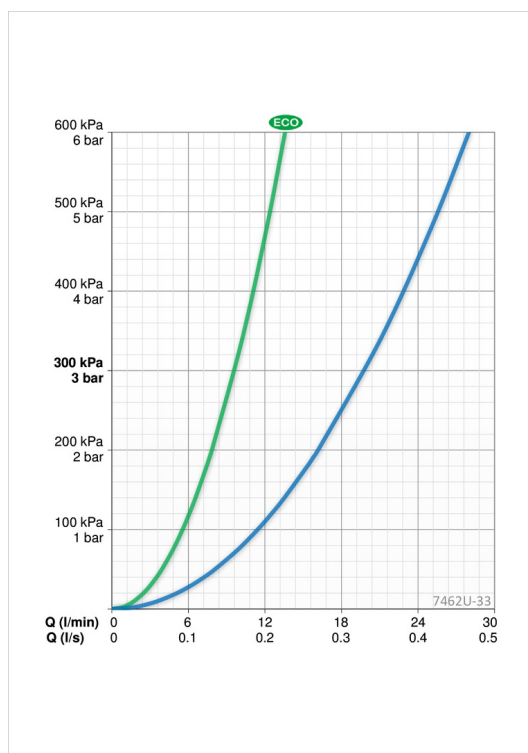
Eco-flow at 300 kPa	<b>0.16 l/s</b>
Flow-rate at 300 kPa	<b>0.33 l/s</b>
Pressure loss with flow (0.2 l/s)	<b>230 kPa</b>
Pressure loss with flow (0.3 l/s)	<b>300 kPa</b>

### Technical properties

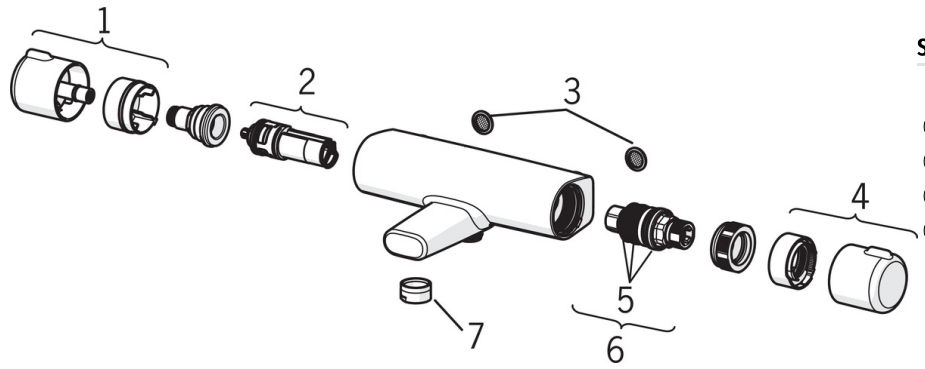
Hot water supply	<b>max. +80°C</b>
Working pressure	<b>100 - 1000 kPa</b>
Connection size	<b>G1/2</b>
Installation width	<b>cc150 mm</b>
Projection	<b>159 mm</b>
Material	<b>Brass/Plastic</b>

### Regulations

EN standard	<b>EN 1111</b>
Noise class	<b>I (ISO 3822) Oras lab.</b>



## Spare parts



### SP7462G-33

	Name	Code
02	Diverter and cartridge	601278V
03	Filter sealing, G3/4, DN20	178375V
05	O-ring kit	178796V
06	Thermostatic cartridge	178780V