

EAN: 6414150082955

www.oras.com/en/products/oras/product/7540U-11



Thermostatic bath and shower faucet with easy-to-use control handles. Temperature limiter in the handle. Spacious shelf made of safety glass. The faucet is equipped with eccentric unions with silencer, litter filters and non-return valves.

- Bathroom, Shower
- Thermostatic
- Wall mounted
- Chrome/White
- CASCADE® - aerated stream
- Temperature control handle, Flow control handle
- Integrated into flow control handle
- Safety stop against scalding at 38°C, The housing of the fittings conducts minimal heat
- Thermostatic cartridge for automatic temperature control
- Safety glass, BLUESWITCH 2-way operated diverter with volume control and stop function

Technical data

Flow properties

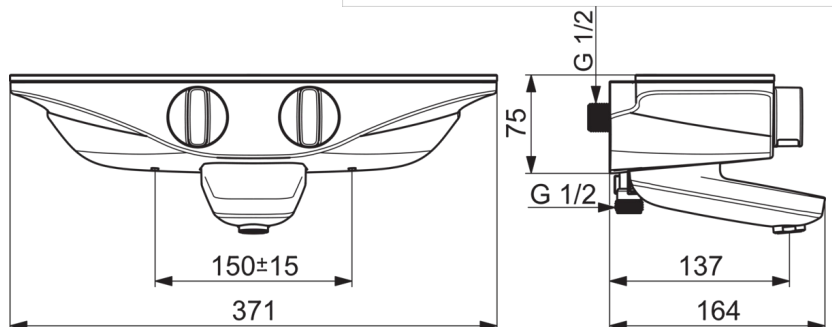
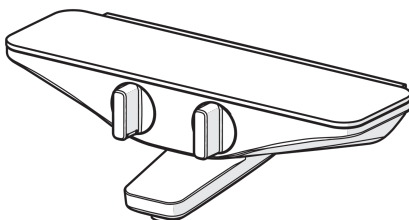
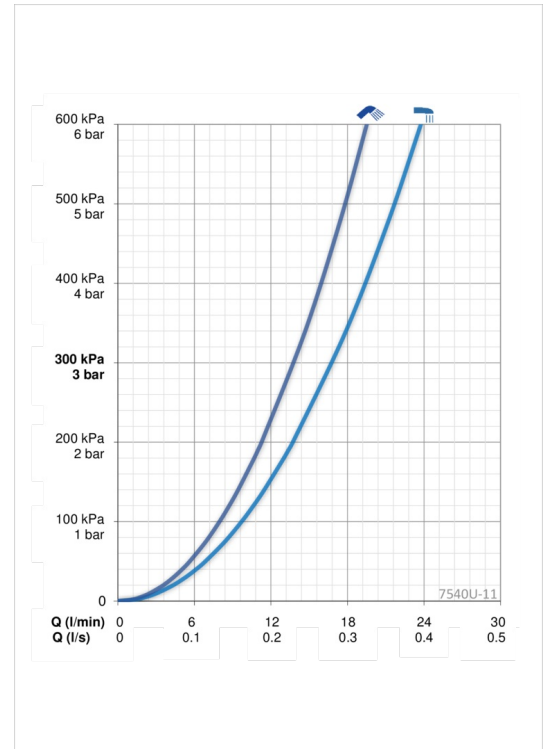
Flow-rate at 300 kPa	0.28 / 0.23 l/s
Pressure loss with flow (0.2 l/s)	230 kPa

Technical properties

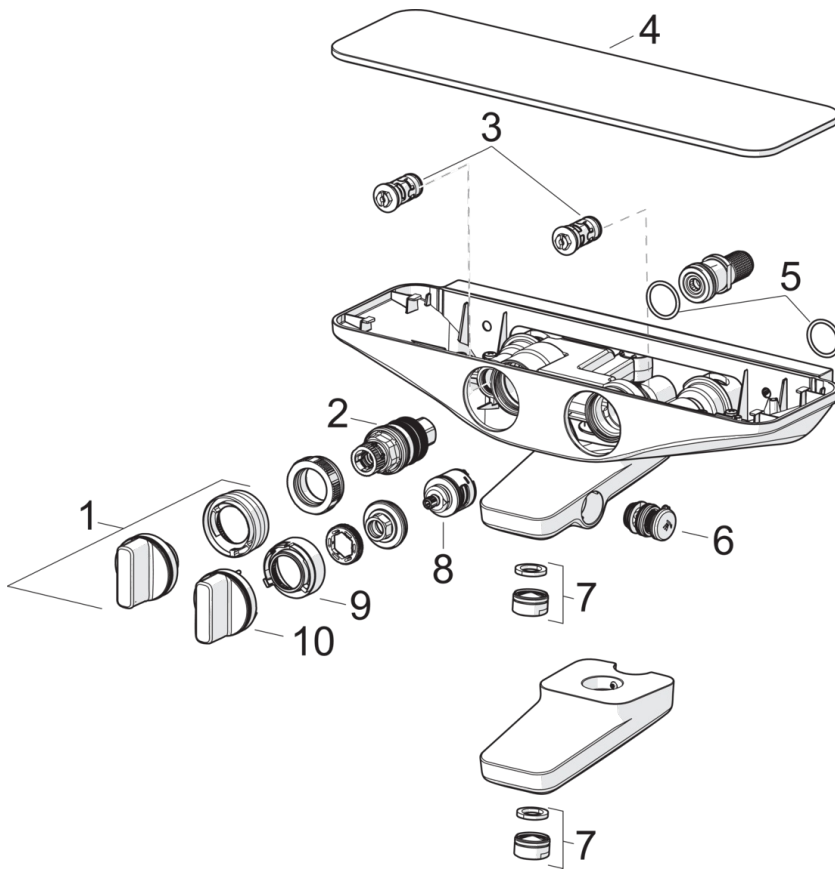
Hot water supply	max. +80°C
Working pressure	100 - 1000 kPa
Connection size	G1/2
Installation width	CC150± 15 mm
Projection	137 mm
Material	Brass

Regulations

EN standard	EN 1111
Noise class	I (ISO 3822) Oras lab.



Spare parts



SP7540U-11

	Name	Code
01	Temperature control handle	1000791V
02	Thermostatic cartridge	178780V
03	One-way valve with litter screen, (9/2018 -)	1004950V
03	One-way valve with litter screen	602346V
04	Cover plate White	1003049V
05	O-ring, 25.07x2.62	602674V
06	Diverter	1002394V
07	Aerator, M24x1 D	602104V
08	Diverter/Cartridge	198282V
09	Flow limiter	1000699V
10	Flow control handle	1000716V