

EAN: 6414150082962

[www.oras.com/en/products/oras/product/7540U-15](http://www.oras.com/en/products/oras/product/7540U-15)



Thermostatic bath and shower faucet with easy-to-use control handles. Temperature limiter in the handle. Spacious shelf made of safety glass. The faucet is equipped with eccentric unions with silencer, litter filters and non-return valves.

- Bathroom, Shower
- Thermostatic
- Wall mounted
- Chrome/Grey
- CASCADE® - aerated stream
- Temperature control handle, Flow control handle
- Integrated into flow control handle
- Safety stop against scalding at 38°C, The housing of the fittings conducts minimal heat
- Thermostatic cartridge for automatic temperature control
- safety glass, BLUESWITCH 2-way operated diverter with volume control and stop function

## Technical data

### Flow properties

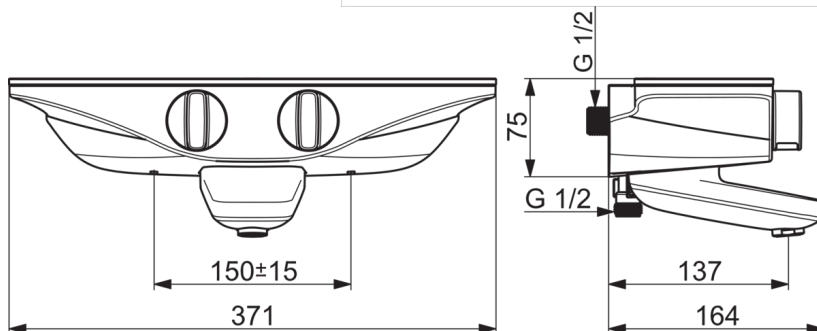
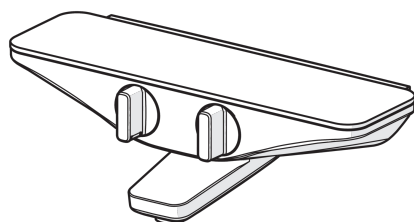
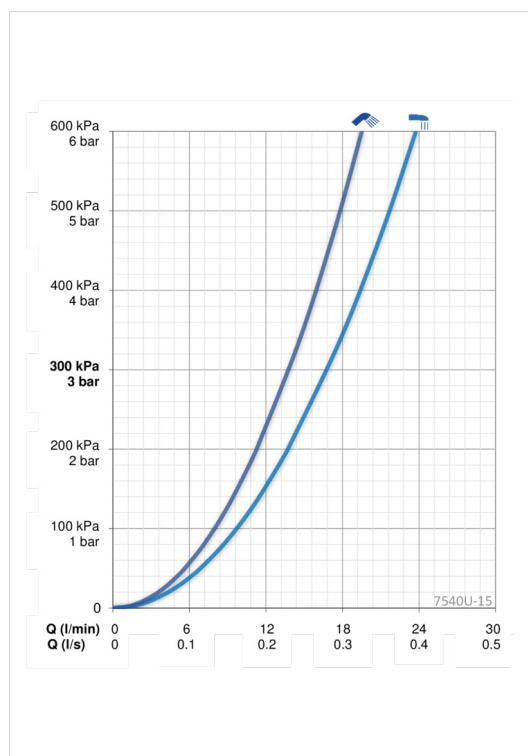
Flow-rate at 300 kPa	<b>0.28 / 0.23 l/s</b>
Pressure loss with flow (0.2 l/s)	<b>230 kPa</b>

### Technical properties

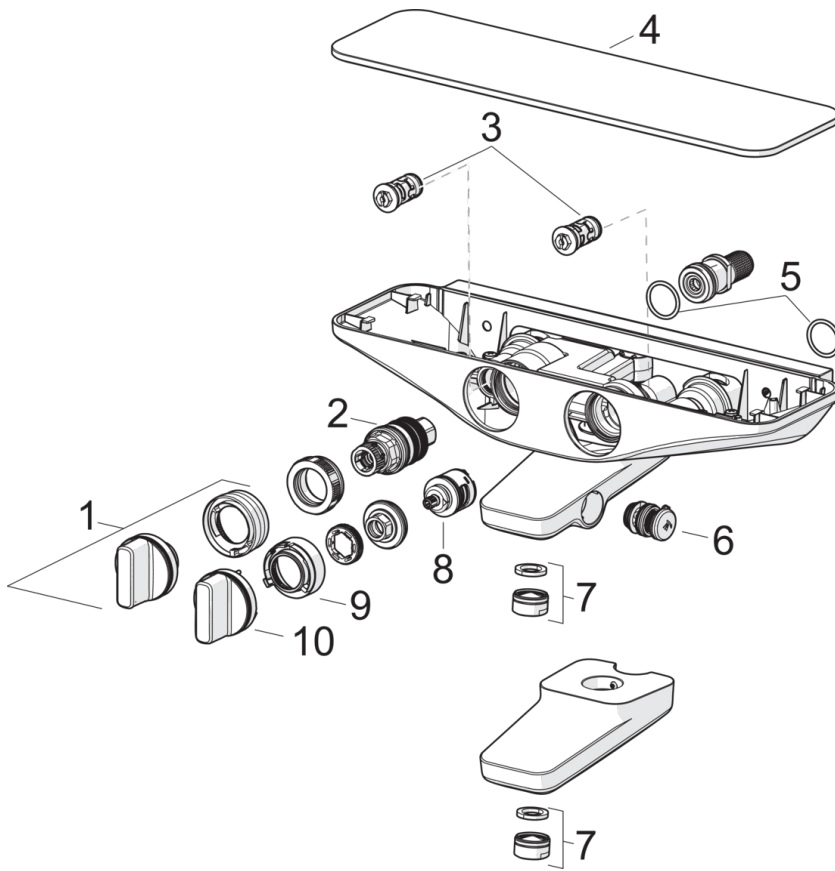
Hot water supply	<b>max. +80°C</b>
Working pressure	<b>100 - 1000 kPa</b>
Connection size	<b>G1/2</b>
Installation width	<b>CC150± 15 mm</b>
Projection	<b>137 mm</b>
Material	<b>Brass</b>

### Regulations

EN standard	<b>EN 1111</b>
Noise class	<b>I (ISO 3822) Oras lab.</b>



## Spare parts



### SP7540U-15

	Name	Code
01	Temperature control handle	1000791V
02	Thermostatic cartridge	178780V
03	One-way valve with litter screen, (9/2018 -)	1004950V
03	One-way valve with litter screen	602346V
04	Cover plate Grey	1003048V
05	O-ring, 25.07x2.62	602674V
06	Diverter	1002394V
07	Aerator, M24x1 D	602104V
08	Diverter/Cartridge	198282V
09	Flow limiter	1000699V
10	Flow control handle	1000716V