



Thermostatic shower faucet with easy-to-use control handles. Temperature limiter in the handle. Spacious shelf made of safety glass. The faucet is equipped with eccentric unions with silencer, litter filters and non-return valves.

- Shower solutions
- Thermostatic
- Wall mounted
- Chrome/White
- Temperature control handle, Flow control handle
- Safety stop against scalding at 38°C, The housing of the fittings conducts minimal heat
- Thermostatic cartridge for automatic temperature control
- Ball eccentric coupling(s), Silencer(s)
- Safety glass

Technical data

Flow properties

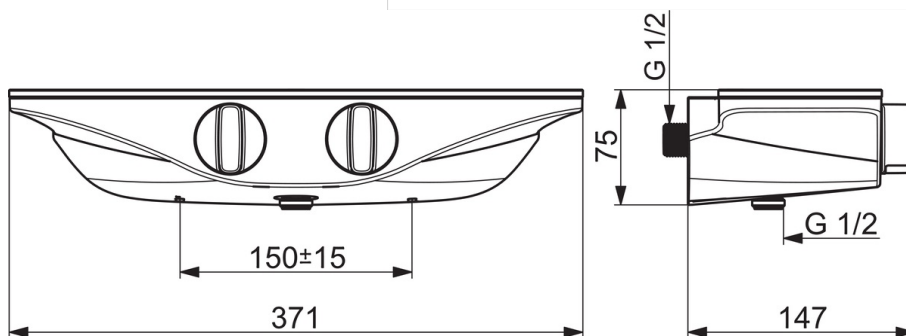
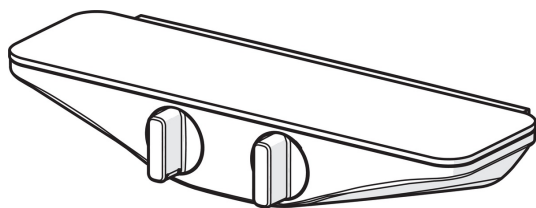
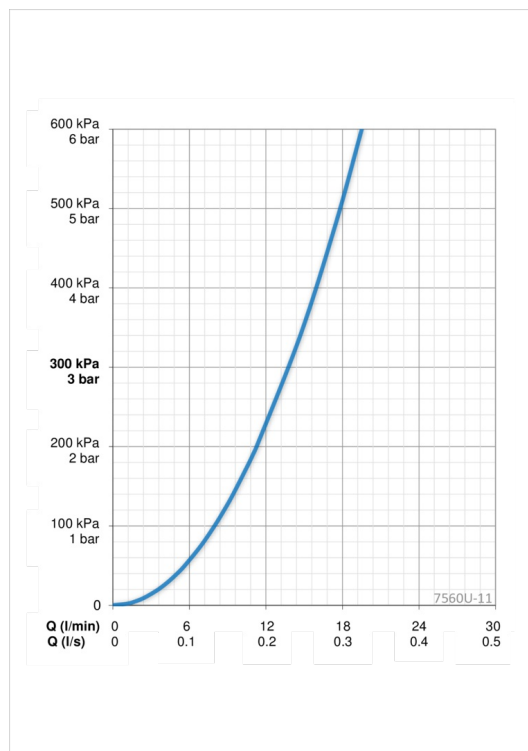
Flow-rate at 300 kPa	0.23 l/s
Pressure loss with flow (0.2 l/s)	230 kPa

Technical properties

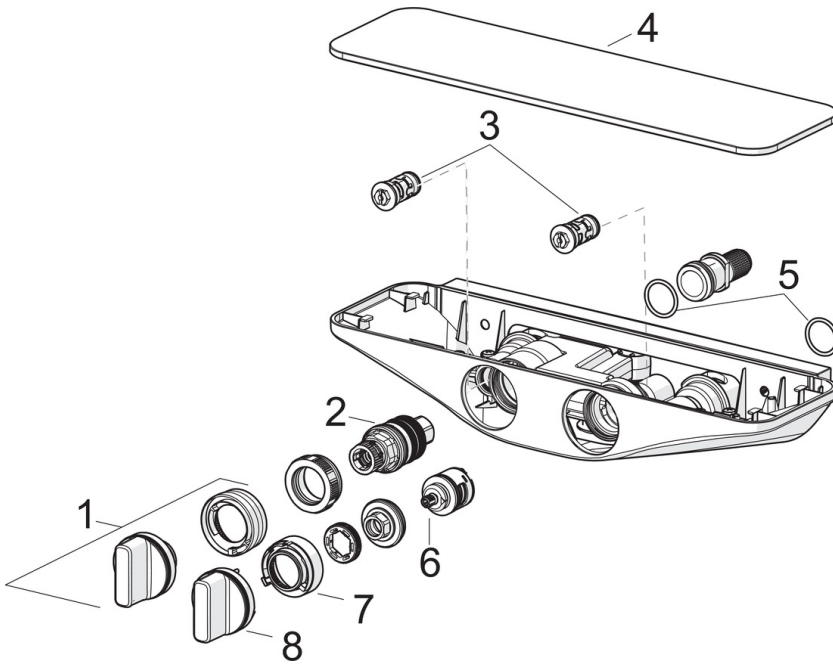
Hot water supply	max. +80°C
Working pressure	100 - 1000 kPa
Connection size	G1/2
Installation width	CC150± 15 mm
Material	Brass

Regulations

EN standard	EN 1111
Noise class	I (ISO 3822) Oras lab.



Spare parts



SP7560U-11

	Name	Code
01	Temperature control handle Discontinued	1000791V
02	Thermostatic cartridge	178780V
03	One-way valve with litter screen, (9/2018-)	1004950V
03	One-way valve with litter screen	602346V
04	Cover plate White	1003044V
05	O-ring, 25.07x2.62	602674V
06	Diverter and cartridge	198282V
07	Flow limiter Discontinued	1002451V
08	Flow control handle Discontinued	1000716V