

EAN: 6414150082986

www.oras.com/en/products/oras/product/7562-15



Thermostatic shower faucet with Wellfit body treatment. Easy-to-use control handles. Temperature limiter in the handle. Spacious shelf made of safety glass. The Wellfit body treatment can be individualized using the Oras App. The faucet is equipped with straight couplings with stop valves, litter filters and non-return valves.

- Shower
- Battery-operated, Thermostatic, Bluetooth®
- Wall mounted
- Chrome/Grey
- Temperature control handle, Flow control handle
- Safety stop against scalding at 38°C, The housing of the fittings conducts minimal heat
- Thermostatic cartridge for automatic temperature control
- Solenoid valve, Light indicated function(s), Low battery indicator
- Safety glass, Adjustable settings via app, BLUESWITCH 2-way operated diverter with volume control and stop function

Technical data

Flow properties

Flow-rate at 300 kPa	0.2 l/s
Pressure loss with flow (0.2 l/s)	300 kPa

Technical properties

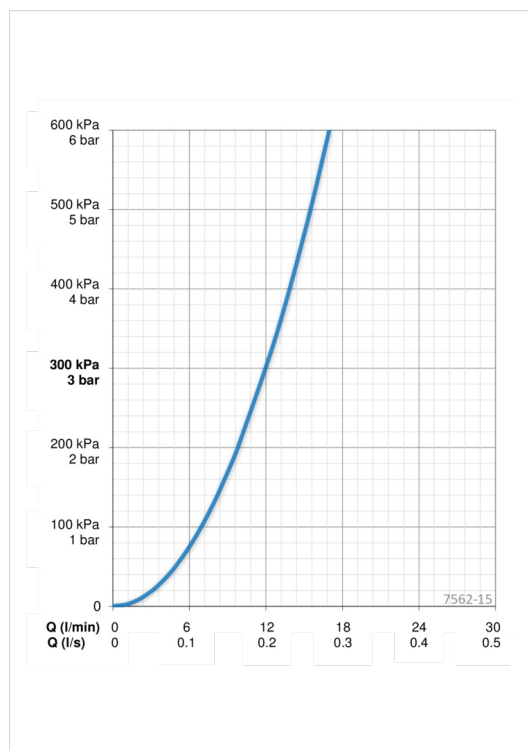
Hot water supply	max. +70°C
Working pressure	100 - 1000 kPa
Connection size	G1/2
Installation width	CC150 mm
Material	Brass

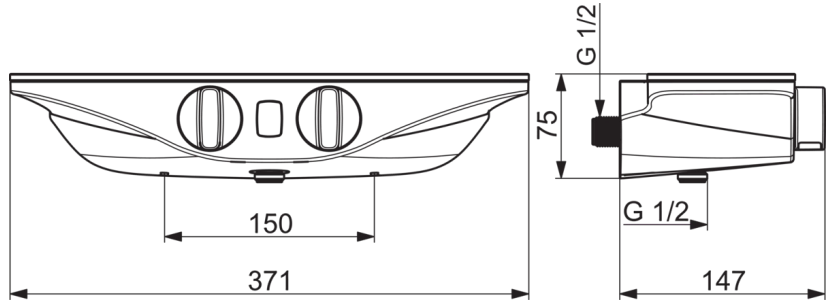
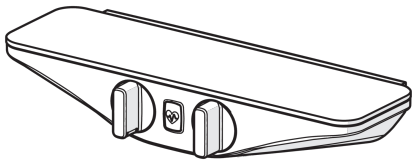
Electronic properties

Battery	AA 1.5 V Lithium x 4
Bluetooth version	4.x

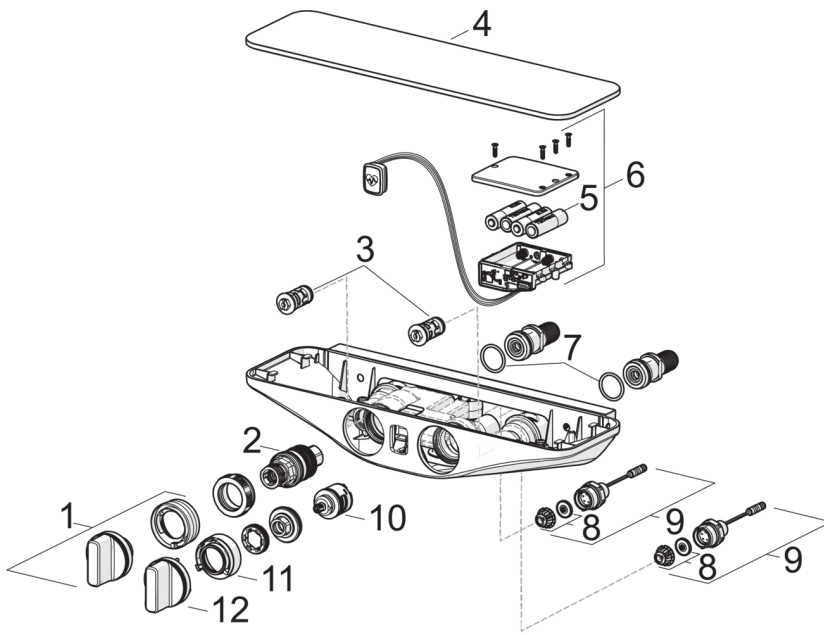
Regulations

EMC Directive	CE 2014/30/EU
EN standard	EN 1111 , EN 15091
Noise class	I (ISO 3822) Oras lab.
Protection class	IP 55





Spare parts



SP7562U-15

	Name	Code
01	Temperature control handle	1000791V
02	Thermostatic cartridge	178780V
03	One-way valve with litter screen, (9/2018 -)	1004950V
03	One-way valve with litter screen	602346V
04	Cover plate Grey	1003043V
05	Battery, 1,5 V AA Lithium	600599V
06	Control unit, 6 V / Wellfit / Bluetooth	1000858V
07	O-ring, 25.07x2.62	602674V
08	Membrane support ring	199205V
09	Solenoid valve	199206V
10	Diverter/Cartridge	198282V
11	Flow limiter	1003519V
12	Flow control handle	1000716V