

EAN: 6414150083068

[www.oras.com/en/products/oras/product/7590-15](http://www.oras.com/en/products/oras/product/7590-15)



Thermostatic shower system with large overhead shower and a hand shower. Spacious shelf made of safety glass, Easy-to-use control handles and diverter. Temperature limiter in the handle. Oras Hydractiva Style hand shower with 3 spray modes: Sensitive (large & gently), Intense (powerful) and Pulse (massage), wall bracket included. Overhead shower size: 360 mm x 220 mm. The faucet is equipped with straight couplings with stop valves, litter filters and non-return valves.

- Shower
- Thermostatic
- Wall mounted
- Chrome/Grey
- Temperature control handle, Flow control handle
- Integrated into flow control handle
- Hand shower, Overhead shower, Shower holder, Shower hose (1750 mm), Rotatable ball joint connection
- Pulsating, Intense, Sensitive
- Safety stop against scalding at 38°C, The housing of the fittings conducts minimal heat
- Thermostatic cartridge for automatic temperature control, Non-return valve(s)
- Safety glass, BLUESWITCH 2-way operated diverter with volume control and stop function

## Technical data

### Flow properties

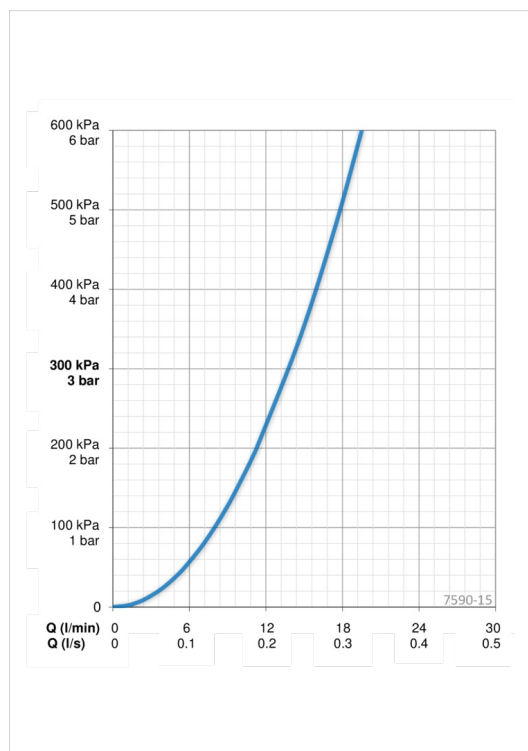
Flow-rate at 300 kPa	<b>0.23 l/s</b>
Pressure loss with flow (0.2 l/s)	<b>210 kPa</b>

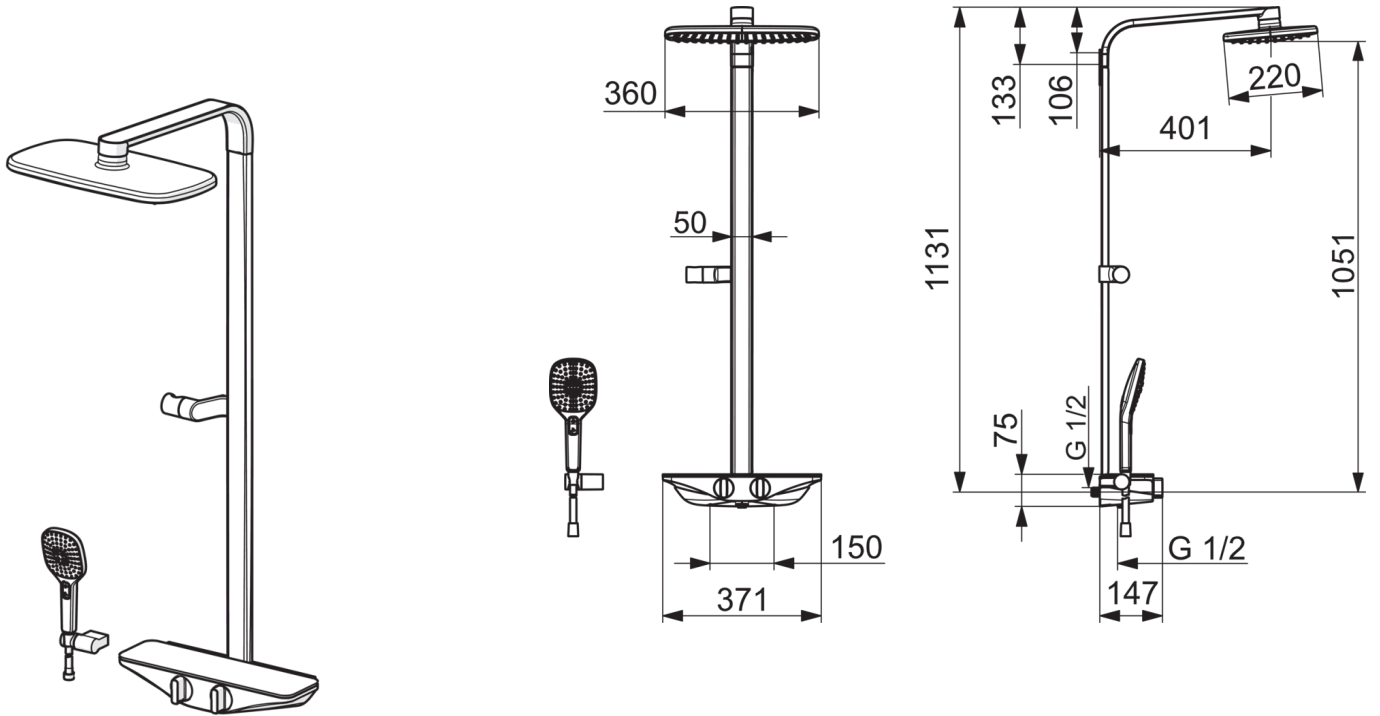
### Technical properties

Hot water supply	<b>max. +80°C</b>
Working pressure	<b>100 - 1000 kPa</b>
Connection size	<b>G1/2</b>
Installation width	<b>CC150 mm</b>
Material	<b>Brass</b>

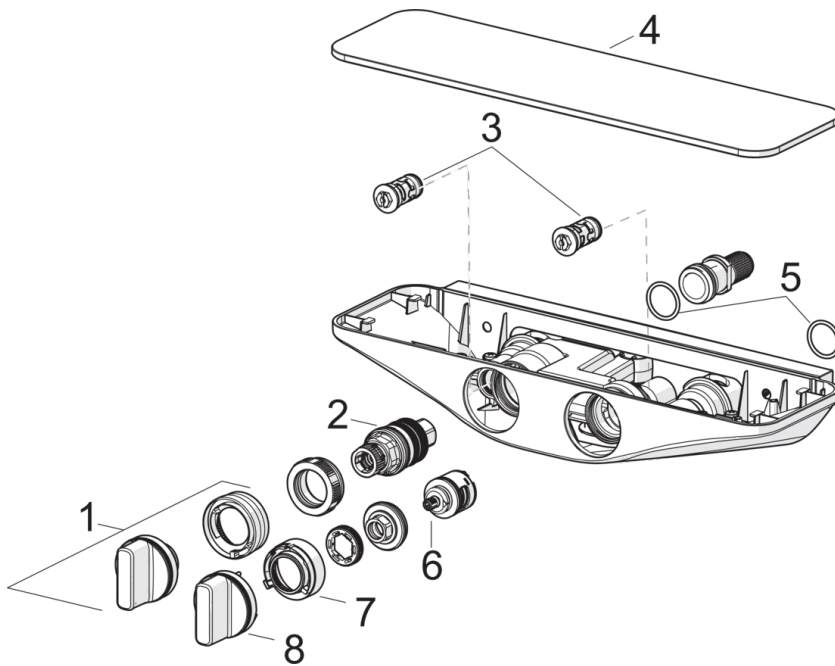
### Regulations

EN standard	<b>EN 1111</b>
Noise class	<b>I (ISO 3822) Oras lab.</b>





## Spare parts



### SP7590U-15

	Name	Code
01	Temperature control handle	1000791V
02	Thermostatic cartridge	178780V
03	One-way valve with litter screen, (9/2018 -)	1004950V
03	One-way valve with litter screen	602346V
04	Cover plate Grey	1003059V
05	O-ring, 25.07x2.62	602674V
06	Diverter/Cartridge	198282V
07	Flow limiter	1000699V
08	Flow control handle	1000716V