

EAN: 6414150083082

www.oras.com/en/products/oras/product/7590U-15



Thermostatic shower system with large overhead shower and a hand shower. Spacious shelf made of safety glass, Easy-to-use control handles and diverter. Temperature limiter in the handle. Oras Hydractiva Style hand shower with 3 spray modes: Sensitive (large & gently), Intense (powerful) and Pulse (massage), wall bracket included. Overhead shower size: 360 mm x 220 mm. The faucet is equipped with eccentric unions with silencer, litter filters and non-return valves.

- Shower
- Thermostatic
- Wall mounted
- Chrome/Grey
- Temperature control handle, Flow control handle
- Integrated into flow control handle
- Hand shower, Shower holder, Shower hose (1750 mm), Overhead shower, Rotatable ball joint connection
- Pulsating, Intense, Sensitive
- Safety stop against scalding at 38°C, The housing of the fittings conducts minimal heat
- Thermostatic cartridge for automatic temperature control, Non-return valve(s)
- Safety glass, BLUESWITCH 2-way operated diverter with volume control and stop function

Technical data

Flow properties

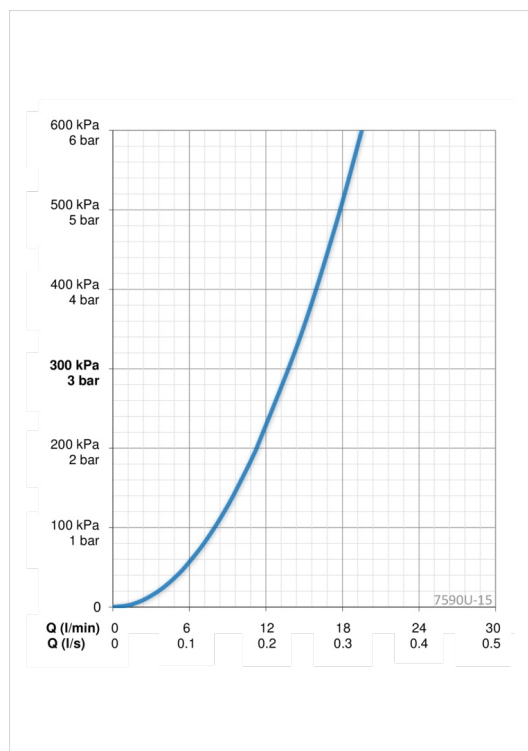
Flow-rate at 300 kPa	0.23 l/s
Pressure loss with flow (0.2 l/s)	210 kPa

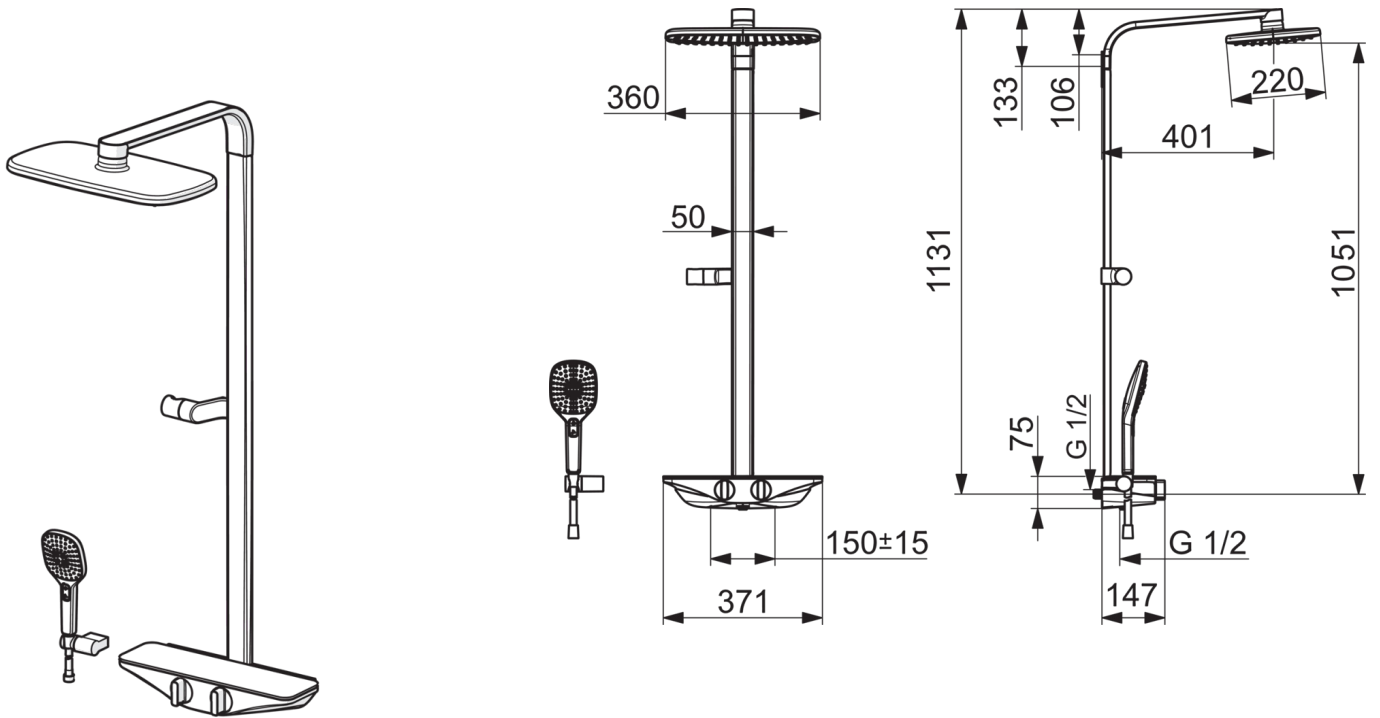
Technical properties

Hot water supply	max. +80°C
Working pressure	100 - 1000 kPa
Connection size	G1/2
Installation width	CC150± 15 mm
Material	Brass

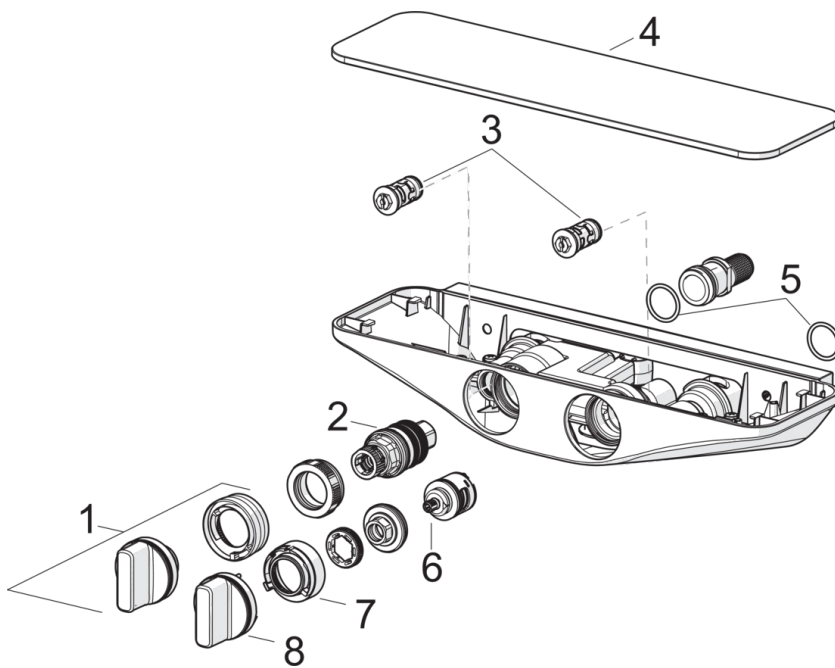
Regulations

EN standard	EN 1111
Noise class	I (ISO 3822) Oras lab.





Spare parts



SP7590U-15

	Name	Code
01	Temperature control handle	1000791V
02	Thermostatic cartridge	178780V
03	One-way valve with litter screen, (9/2018 -)	1004950V
03	One-way valve with litter screen	602346V
04	Cover plate Grey	1003059V
05	O-ring, 25.07x2.62	602674V
06	Diverter/Cartridge	198282V
07	Flow limiter	1000699V
08	Flow control handle	1000716V