

EAN: 6414150083235

[www.oras.com/en/products/oras/product/7593U-11](http://www.oras.com/en/products/oras/product/7593U-11)

Thermostatic shower system with Wellfit body treatment, a spout, large overhead shower and a hand shower. Spacious shelf made of safety glass, Easy-to-use control handles and diverter. Temperature limiter in the handle. Oras Hydractiva Style hand shower with 3 spray modes: Sensitive (large & gently), Intense (powerful) and Pulse (massage), wall bracket included. Overhead shower size: 360 mm x 220 mm. The Wellfit body treatment can be individualized using the Oras App. The faucet is equipped with eccentric unions with silencer, litter filters and non-return valves.



- Shower
- Battery-operated, Thermostatic, Bluetooth®
- Wall mounted
- Chrome/White
- integrated diverter with volume control
- hand shower, shower holder, shower hose (1750 mm), Overhead shower
- Pulsating, intense, sensitive
- thermostatic cartridge for temperature control, safety stop against scalding at 38°C, THERMO COOL - Improved safety: the housing of the fittings conducts minimal heat
- safety glass, Adjustable settings via app

## Technical data

### Flow properties

Flow-rate at 300 kPa	<b>0.24 / 0.2 l/s</b>
Pressure loss with flow (0.2 l/s)	<b>300 kPa</b>

### Technical properties

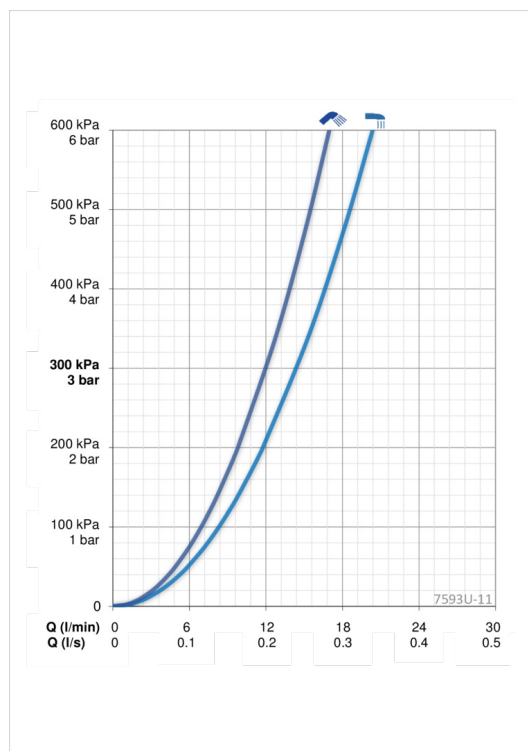
Hot water supply	<b>max. +70°C</b>
Working pressure	<b>100 - 1000 kPa</b>
Connection size	<b>G1/2</b>
Installation width	<b>CC150± 15 mm</b>
ItemProjection	<b>137 mm</b>
ItemMaterial	<b>Brass</b>

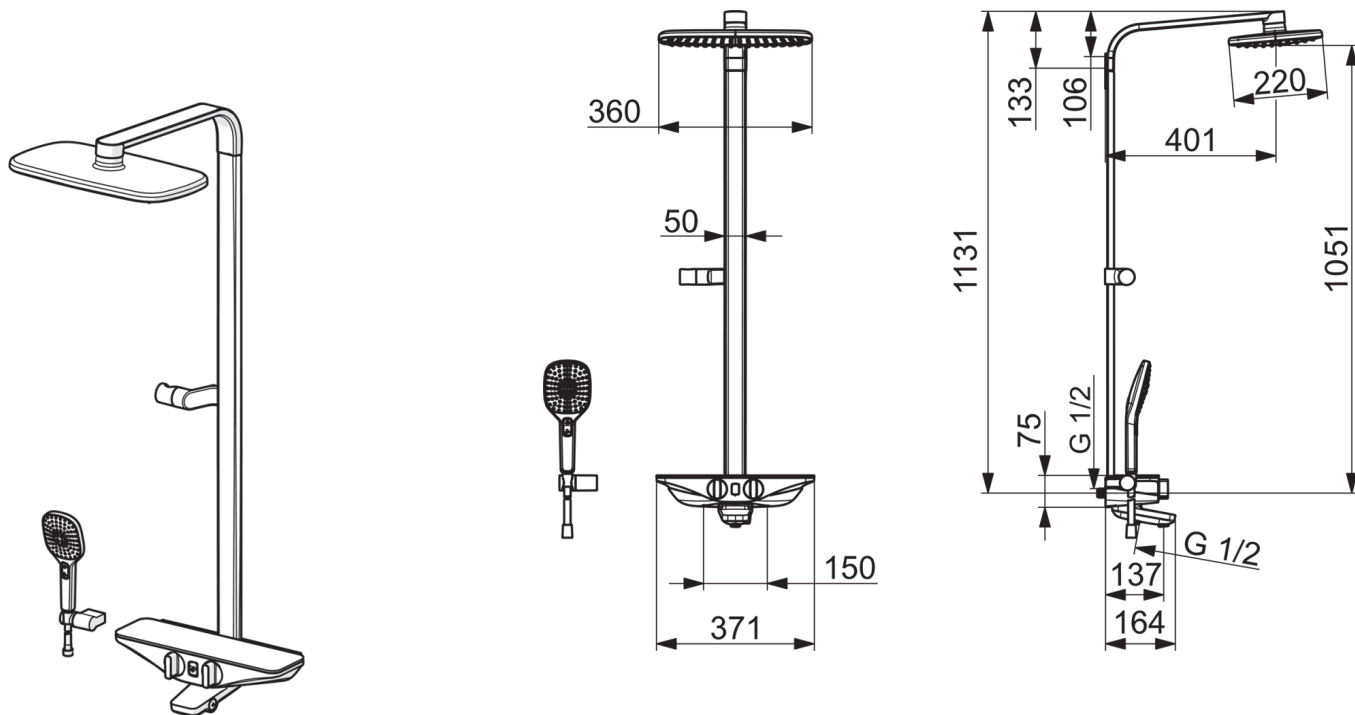
### Electronic properties

Battery	<b>AA 1.5 V Lithium x 4</b>
---------	-----------------------------

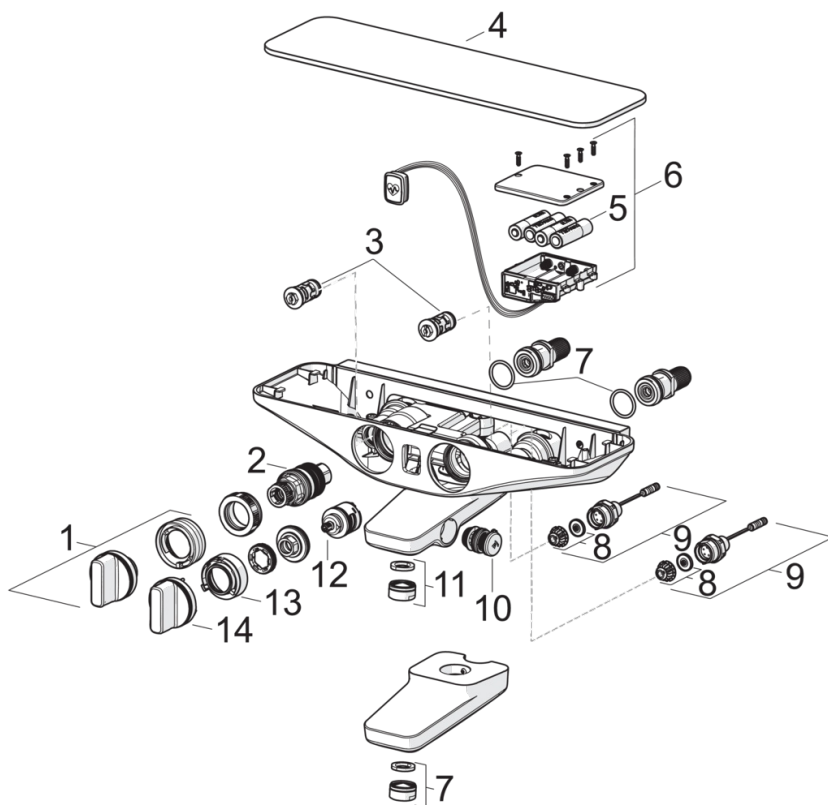
### Regulations

EMC Directive	<b>CE 2014/30/EU</b>
EN standard	<b>EN 1111 , EN 15091</b>
Noise class	<b>I (ISO 3822) Oras lab.</b>
Protection class	<b>IP 55</b>





## Spare parts



### SP7593U-11

	Code
01	1000791V
02	178780V
03	1004950V
03	602346V
04	1001593V
05	600599V
06	1000858V
07	602674V
08	199205V
09	199206V
10	1002394V
11	602104V
12	198282V
13	1003518V
14	1000716V