

EAN: 6414150083242

www.oras.com/en/products/oras/product/7593U-15



Thermostatic shower system with Wellfit body treatment, a spout, large overhead shower and a hand shower. Spacious shelf made of safety glass, Easy-to-use control handles and diverter. Temperature limiter in the handle. Oras Hydractiva Style hand shower with 3 spray modes: Sensitive (large & gently), Intense (powerful) and Pulse (massage), wall bracket included. Overhead shower size: 360 mm x 220 mm. The Wellfit body treatment can be individualized using the Oras App. The faucet is equipped with eccentric unions with silencer, litter filters and non-return valves.

- Shower
- Battery-operated, Thermostatic, Bluetooth®
- Wall mounted
- Chrome/Grey
- Temperature control handle, Flow control handle
- Integrated into flow control handle
- Hand shower, Shower holder, Shower hose (1750 mm), Overhead shower, Rotatable ball joint connection
- Pulsating, Intense, Sensitive
- Safety stop against scalding at 38°C, The housing of the fittings conducts minimal heat
- Thermostatic cartridge for automatic temperature control, Non-return valve(s)
- Solenoid valve, External control unit, Light indicated function(s), Low battery indicator
- Safety glass, Adjustable settings via app, BLUESWITCH 2-way operated diverter with volume control and stop function

Technical data

Flow properties

Flow-rate at 300 kPa	0.24 / 0.2 l/s
Pressure loss with flow (0.2 l/s)	300 kPa

Technical properties

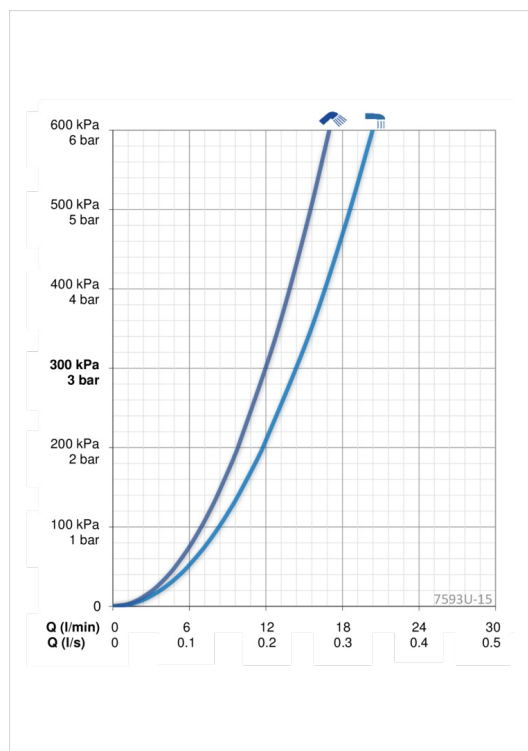
Hot water supply	max. +70°C
Working pressure	100 - 1000 kPa
Connection size	G1/2
Installation width	CC150± 15 mm
Projection	137 mm
Material	Brass

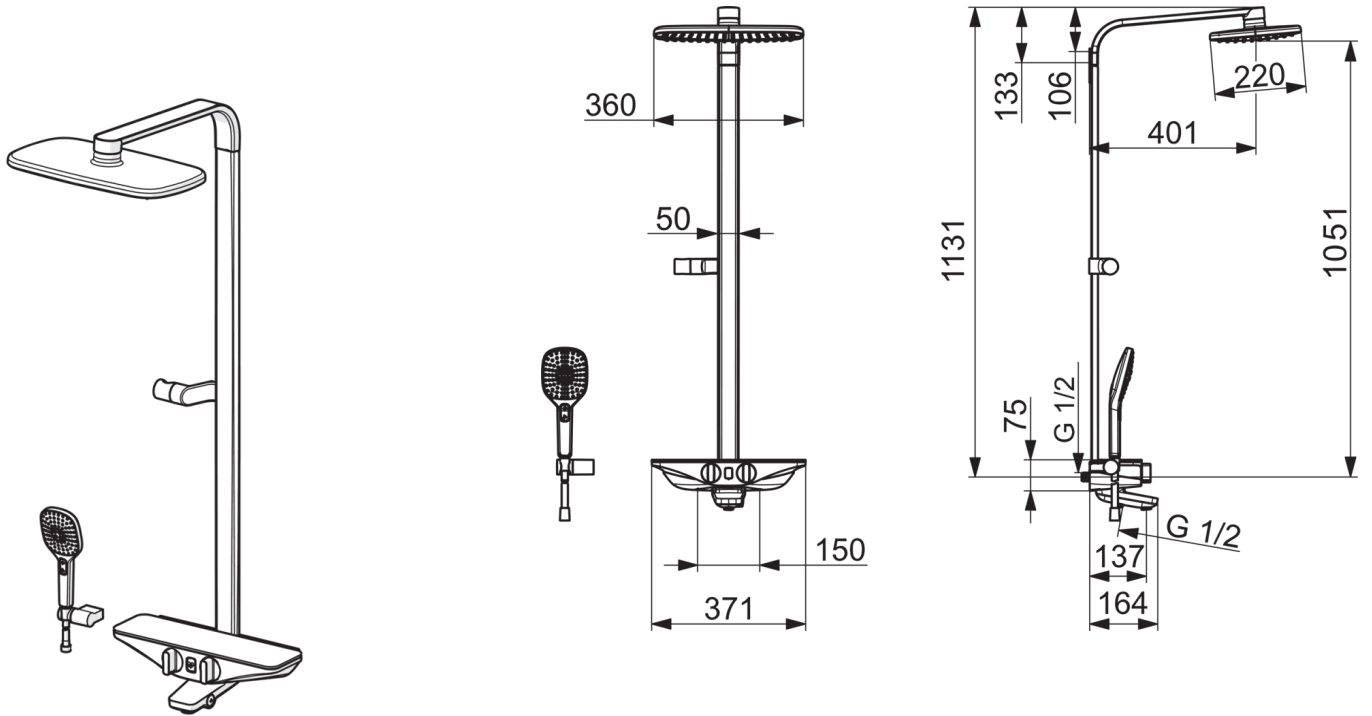
Electronic properties

Battery	AA 1.5 V Lithium x 4
Bluetooth version	4.x

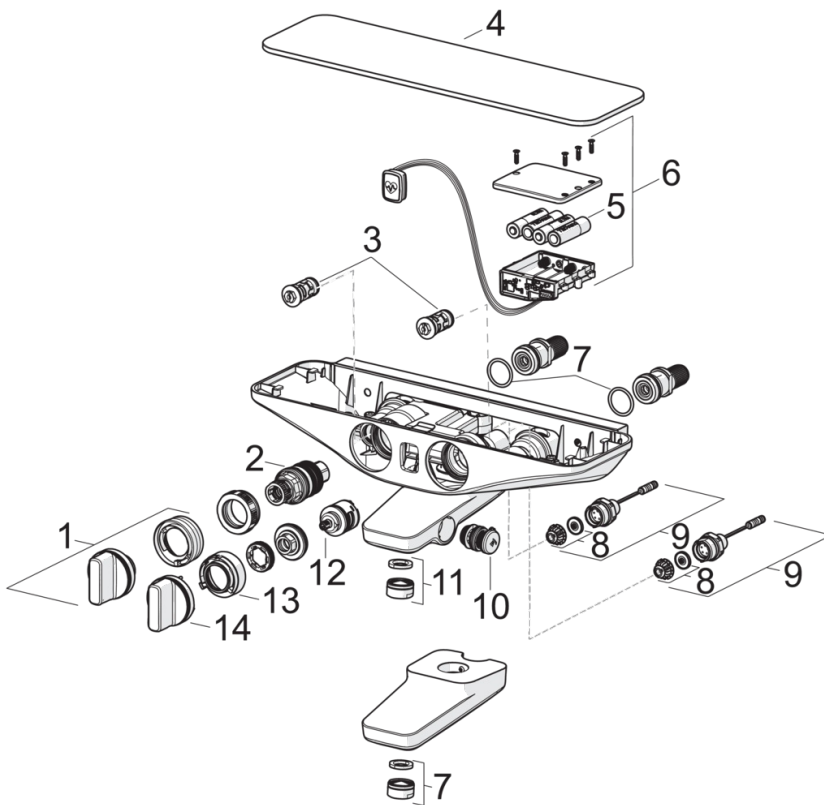
Regulations

EMC Directive	CE 2014/30/EU
EN standard	EN 1111 , EN 15091
Noise class	I (ISO 3822) Oras lab.
Protection class	IP 55





Spare parts



SP7593U-15

	Name	Code
01	Temperature control handle	1000791V
02	Thermostatic cartridge	178780V
03	One-way valve with litter screen, (9/2018 -)	1004950V
03	One-way valve with litter screen	602346V
04	Cover plate Grey	1003071V
05	Battery, 1,5 V AA Lithium	600599V
06	Control unit, 6 V / Wellfit / Bluetooth	1000858V
07	O-ring, 25.07x2.62	602674V
08	Membrane support ring	199205V
09	Solenoid valve	199206V
10	Diverter	1002394V
11	Aerator, M24x1 D	602104V
12	Diverter/Cartridge	198282V
13	Flow limiter	1003518V
14	Flow control handle	1000716V