

EAN: 6414150045080

www.oras.com/en/products/oras/product/8518F



Bidet faucet with pop-up waste, fixed spout and aerator.

Design: Stefano Giovannoni

F = with flexible pipes

- Bathroom
- Single-lever
- Deck mounted
- Chrome
- Fixed spout
- Adjustable flow angle
- Single operating lever/handle, Hot/Cold symbols
- Pop-up waste with draw-rod
- Flexible inlet pipes

Technical data

Flow properties

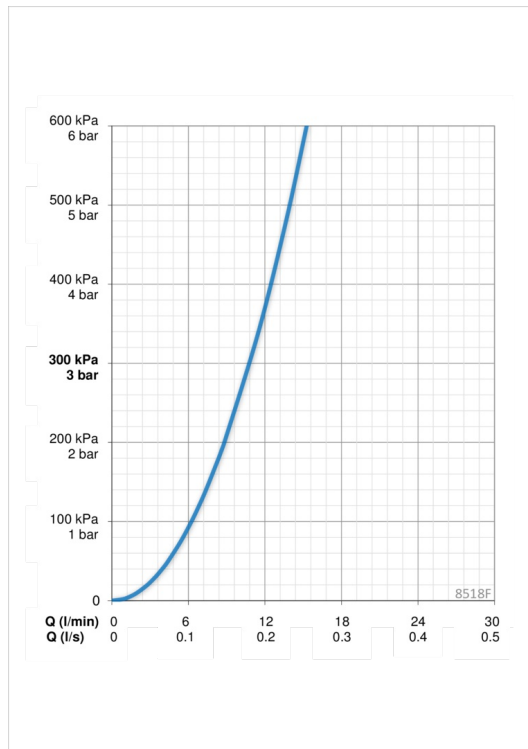
Flow-rate at 300 kPa **0.18 l/s**

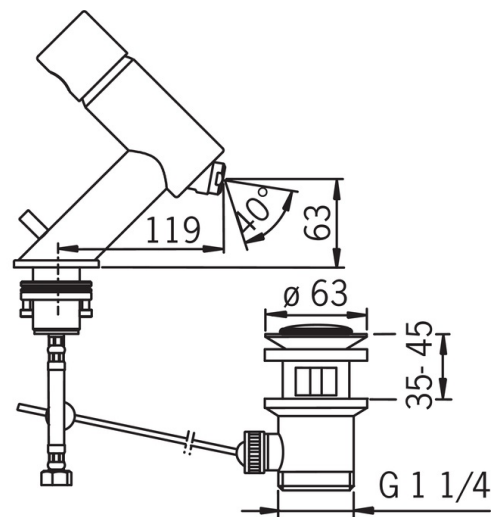
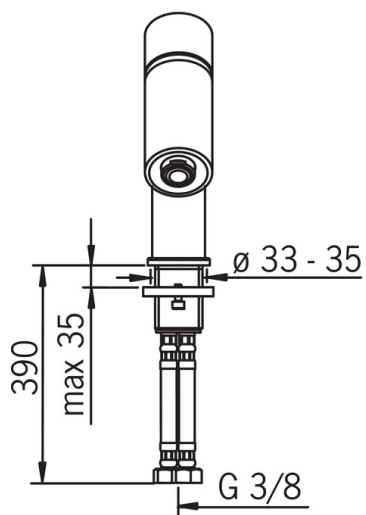
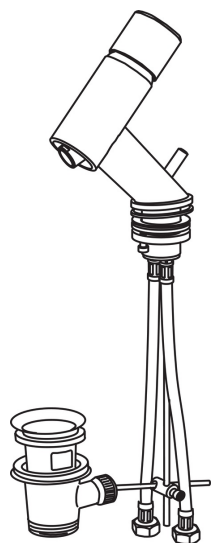
Technical properties

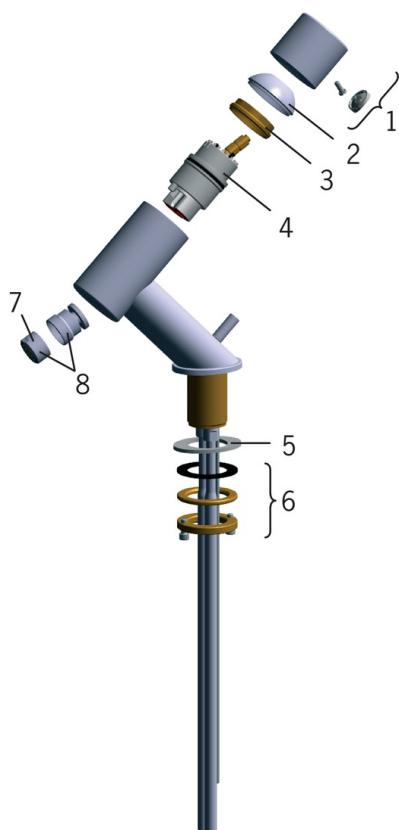
Hot water supply **max. +80°C**
Working pressure **50 - 1000 kPa**

Regulations

EN standard **EN 817**
Noise class **II (ISO 3822)**

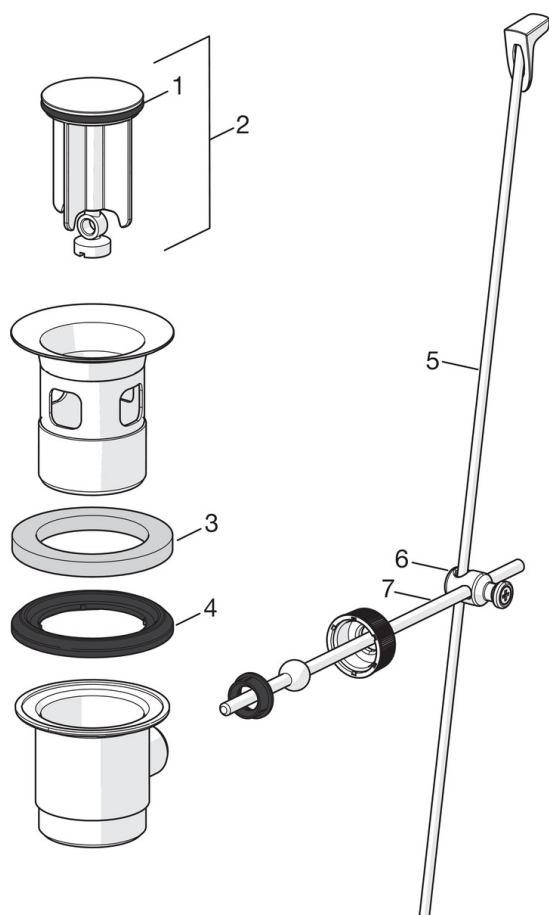






SP8518

	Name	Code
01	Lever	859102V
02	Covering cap	859103V
03	Tightening nut	158726
04	Cartridge	158890
05	Bottom seal	859117V
06	Fixing nut kit	859114V
07	Aerator, M24 x 1 STD HC A	232211
08	Aerator with ball joint, M24x1/M24x1	232511



SP0034

	Name	Code
01	O-ring, 32.7x3	559522/10
02	Plug for pop-up waste	559506
03	Cellular plastic sealing (10 pcs), 60/40x5	559603/10
04	Form sealing, D60xD44	559536
05	Pop-up operating rod, L=380	559529
05	Pop-up operating rod, Safira	1000681V
05	Pop-up operating rod, L=400	559590
05	Pop-up operating rod, Ventura	559595V
05	Pop-up operating rod Satin	159008V-60
05	Pop-up operating rod, Vienda	159008V
06	Swivel joint	559523
07	Lever for pop-up waste	559591