

EAN: 6414150051401

[www.oras.com/en/products/oras/product/8535F](http://www.oras.com/en/products/oras/product/8535F)



Kitchen faucet with a swivel spout and dishwasher valve (connected to cold water inlet). Spout swing angle either 60°, 85° or 110° (factory default). Aerator integrated into the spout.

Design: Alessandro Mendini

F = with flexible pipes

- Kitchen
- Single-lever, side operated, Dishwasher valve
- Deck mounted
- Chrome
- Swivel spout
- Hidden aerator
- Mechanic stop valve for external equipment
- Single operating lever/handle, Hot/Cold symbols, Pin shape
- Limitation option for maximum temperature and flow-rate
- ø 40 mm ceramic cartridge for flow and temperature control
- Flexible inlet pipes

## Technical data

### Flow properties

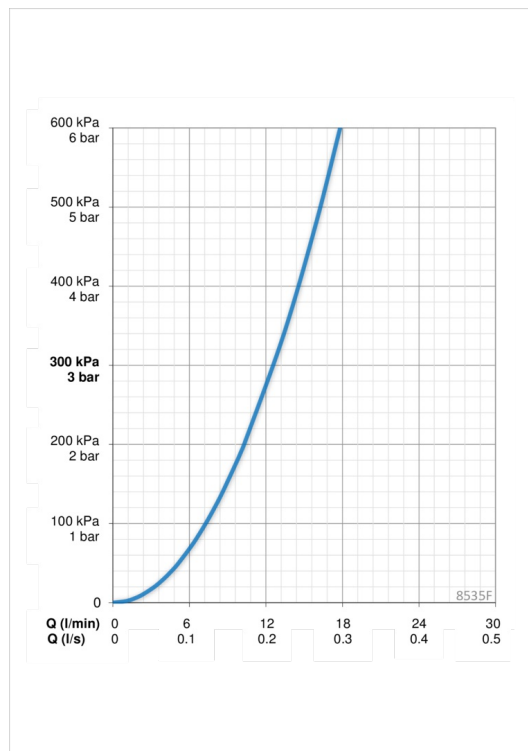
Flow-rate at 300 kPa	<b>0.21 l/s</b>
Pressure loss with flow (0.2 l/s)	<b>280 kPa</b>

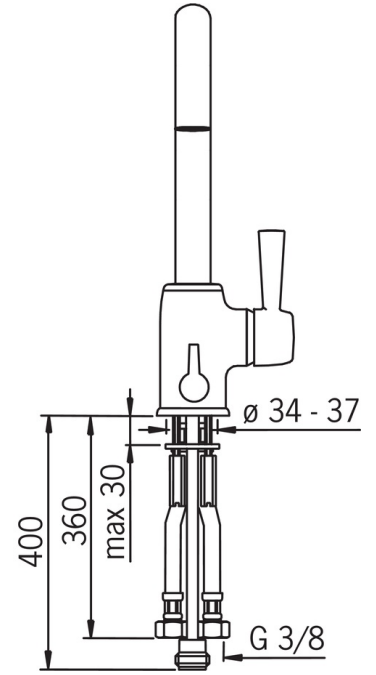
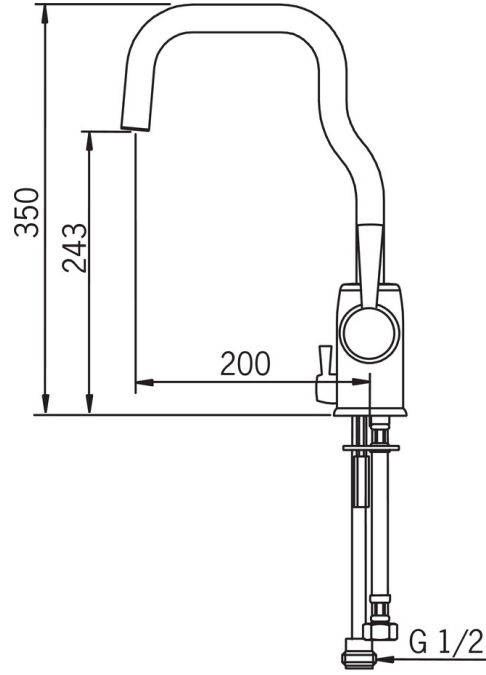
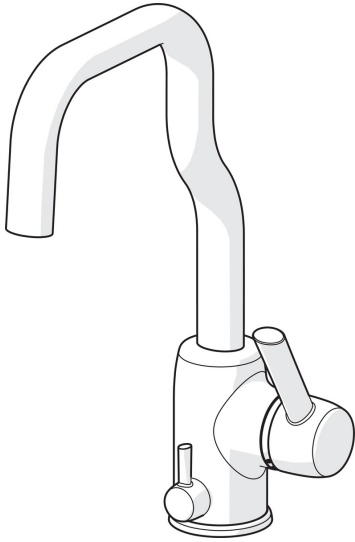
### Technical properties

Hot water supply	<b>max. +80°C</b>
Working pressure	<b>50 - 1000 kPa</b>
Connection size	<b>G3/8</b>
Projection	<b>200 mm</b>
Material	<b>Brass</b>

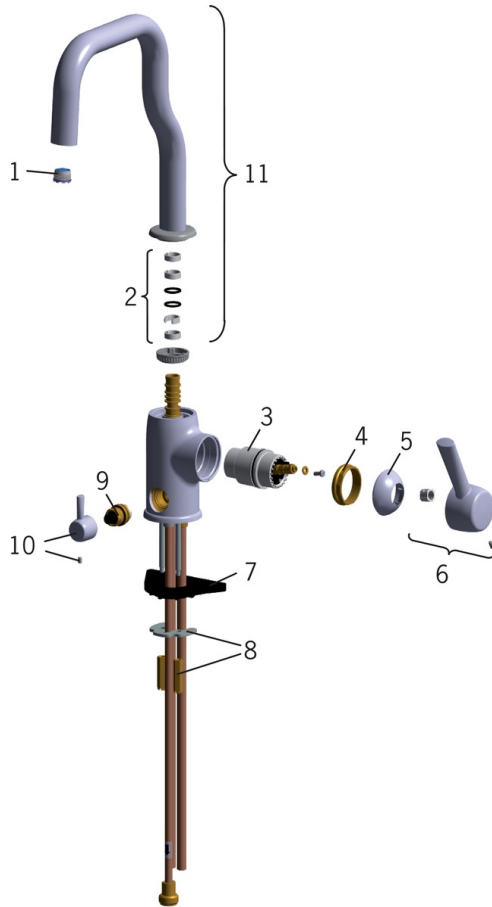
### Regulations

EN standard	<b>EN 817</b>
Noise class	<b>II (ISO 3822) Oras lab.</b>





### Spare parts



### SP8535

Name	Code
01 Aerator, M18.5x1	859338V
02 Sealing kit for spout	198287V
03 Cartridge	158890
04 Tightening nut	158726
05 Covering cap	859103V
06 Lever	859332V
07 Supporting plate, 100x60mm	158825
08 Fixing plates with nuts	158697
09 Headpart	158203V
10 Lever	859339V
11 Spout	859331V