

EAN: 6414150045547

www.oras.com/en/products/oras/product/8545



Bath and shower faucet with turnable spout, aerator and diverter. Hand shower, shower hose, eccentric unions and cover plates are included.

Design: Stefano Giovannoni

Please note! The faucet is not suitable for connecting to exposed water pipes.

- Bathroom, Shower
- Single-lever
- Wall mounted
- Chrome
- Swivel spout
- Standard aerator
- Electronic stop valve for external equipment
- Single operating lever/handle, Hot/Cold symbols
- Pull operated diverter
- Hand shower, Shower hose (1500 mm)
- Limitation option for maximum temperature and flow-rate
- Non-return valve(s), \varnothing 40 mm ceramic cartridge for flow and temperature control
- Eccentric coupling(s), Cover plate(s)

Technical data

Flow properties

Flow-rate at 300 kPa	0.28 / 0.26 l/s
Pressure loss with flow (0.2 l/s)	180 kPa
Pressure loss with flow (0.3 l/s)	340 kPa

Technical properties

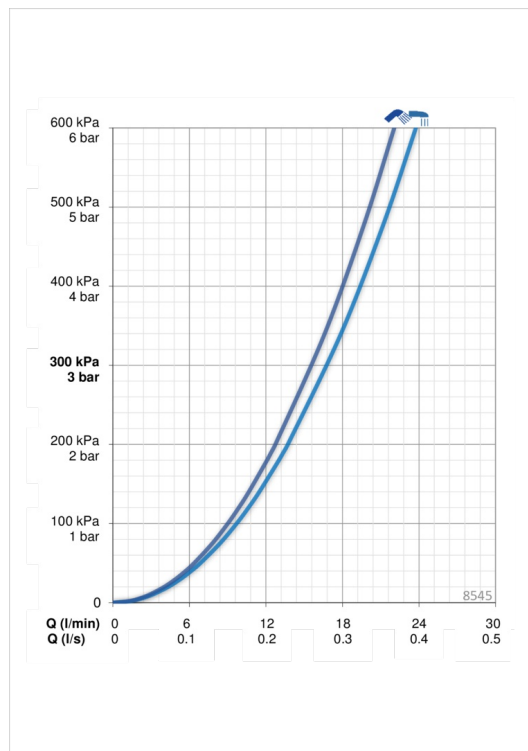
Hot water supply	max. +80°C
Working pressure	50 - 1000 kPa
Connection size	G1/2
Installation width	CC150± 15 mm
Projection	205 mm
Material	Brass

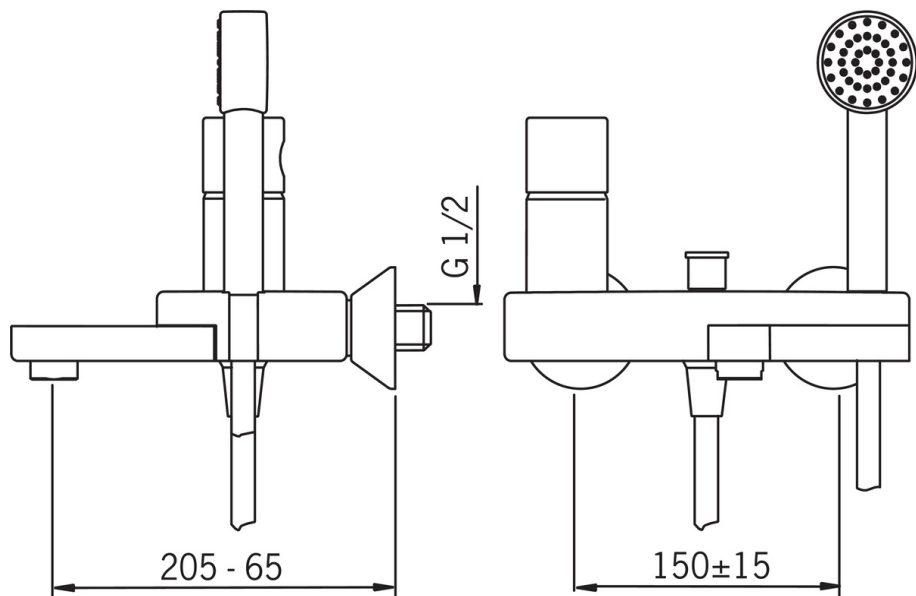
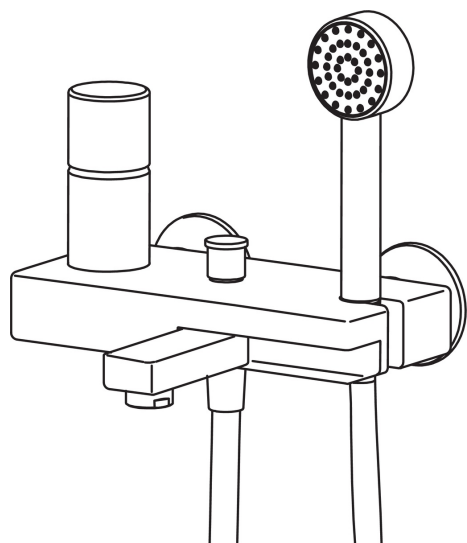
Regulations

EN standard	EN 817
Noise class	II (ISO 3822)

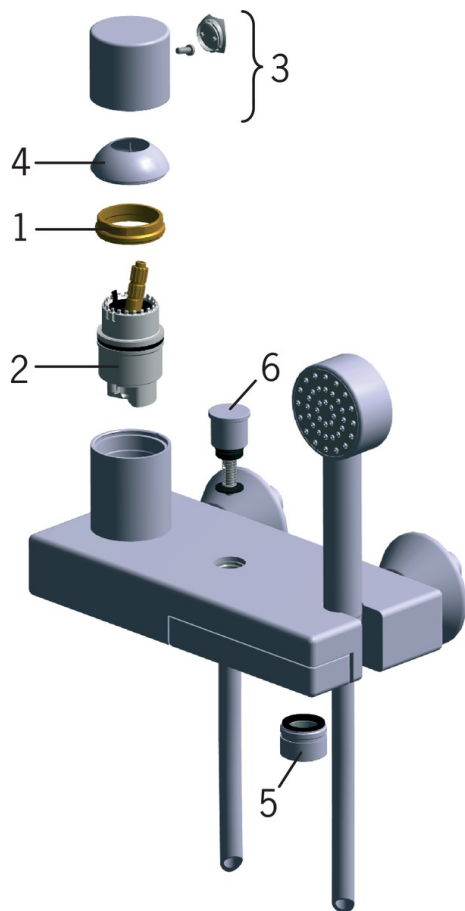
Type approvals

Sintef	Sintef Nr. 0969
--------	------------------------





Spare parts



SP8545

	Name	Code
01	Tightening nut	158726
02	Cartridge	158890
03	Lever	859102V
04	Covering cap	859103V
05	Aerator, M28x1	232213
06	Diverter	859183V