



- Bathroom, Shower
- Thermostatic
- Wall mounted
- Chrome
- Temperature control handle, Flow control handle
- Push operated diverter
- Thermostatic cartridge for automatic temperature control, Litter filter(s), Non-return valve(s), Ceramic head part for flow control
- Direct connection, Internal thread

## Technical data

### Flow properties

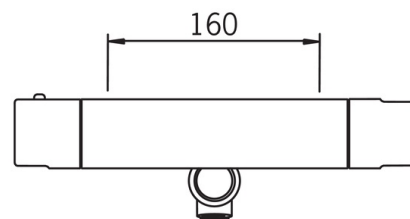
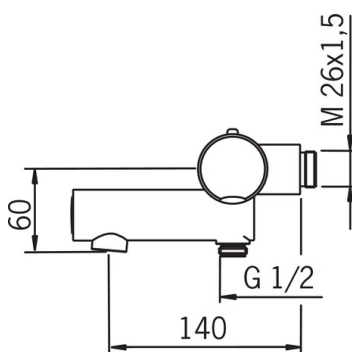
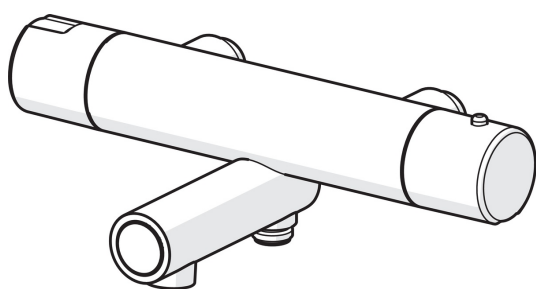
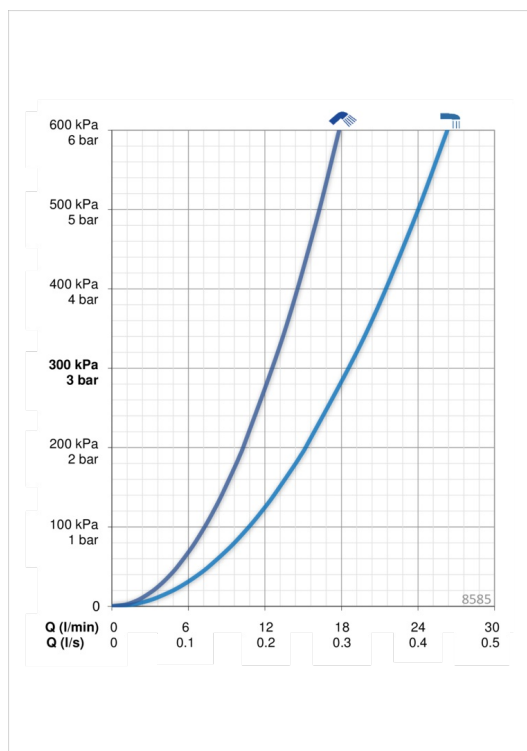
Flow-rate at 300 kPa	<b>0.31 / 0.21 l/s</b>
Pressure loss with flow (0.2 l/s)	<b>285 kPa</b>

### Technical properties

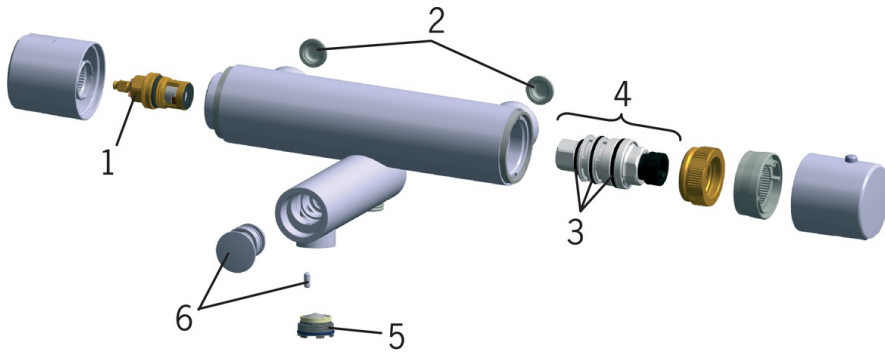
Hot water supply	<b>max. +80°C</b>
Working pressure	<b>100 - 1000 kPa</b>
Connection size	<b>G1/2</b>
Installation width	<b>CC160 mm</b>
Projection	<b>140 mm</b>
Material	<b>Brass</b>

### Regulations

EN standard	<b>EN 1111</b>
Noise class	<b>II (ISO 3822)</b>



## Spare parts



### SP8585

	Name	Code
01	Headpart	109898
02	Litter filters, G1/2, DN15	198094/2
03	O-ring kit	178796V
04	Thermostatic cartridge	178780V
05	Aerator, M24x1	859323V
06	Diverter	859295V