

EAN: 6414150073229

www.oras.com/en/products/oras/product/8710F

Washbasin faucet with fixed spout and a swivel aerator. Faucet is opened by pressing gently on top of it, after which the faucet is open for 6 sec. (Factory setting) By pressing on top of the faucet for one second, the faucet stays open for one minute. By pressing on top of the faucet for 4 seconds, the faucet goes into cleaning mode and remains closed for 20 seconds. Easy to use temperature control handle operates also as a flow controller. Battery operated 3 V. Design by Rodrigo Torres. F = with flexible pipes



- Bathroom
- Tiptronic, Battery-operated
- Deck mounted
- Chrome/White
- Fixed spout
- Adjustable flow angle
- Temperature control handle
- Adjustable settings via magnetic key

Technical data

Flow properties

Flow-rate at 300 kPa (with flow controller)	0.07 l/s
Pressure loss with flow (0.1 l/s)	200 kPa

Technical properties

Hot water supply	max. +70°C
Working pressure	100 - 1000 kPa
Connection size	G3/8
Projection	118 mm
Material	brass

Software settings

Automatic flush	off (off/12/24/48/72 h)
Automatic flush period	30 s (10-600 s)
Max. flow period	6 s (4 s-60 s) / 60 s (30 s- 600 s)

Electronic properties

Battery	AA 1.5 V Lithium x 2
---------	-----------------------------

Regulations

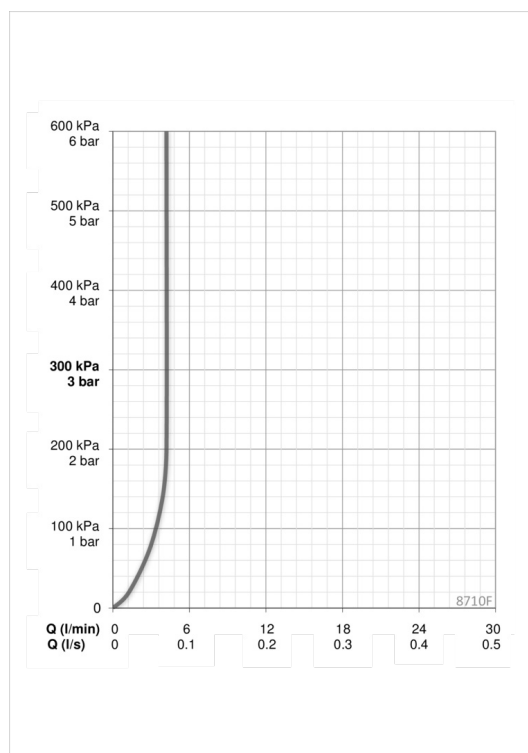
EMC Directive	CE 2004/108/EY
EN standard	EN 15091
Noise class	I (ISO 3822)
Protection class	IP 44

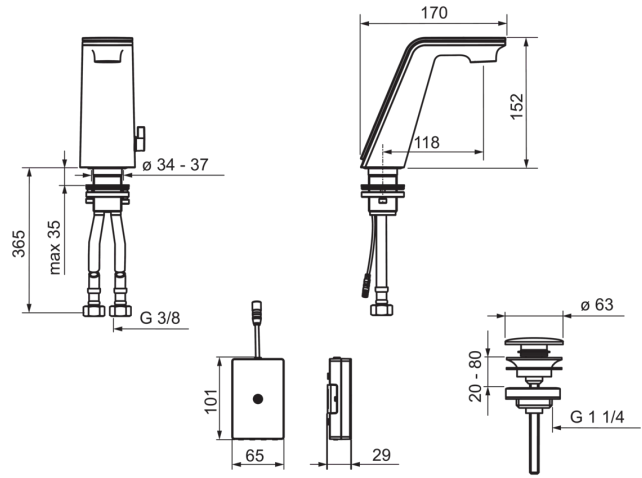
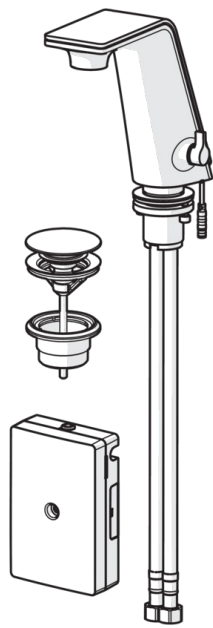
Type approvals

STF certificate	VTT-RTH-00006-16
-----------------	-------------------------

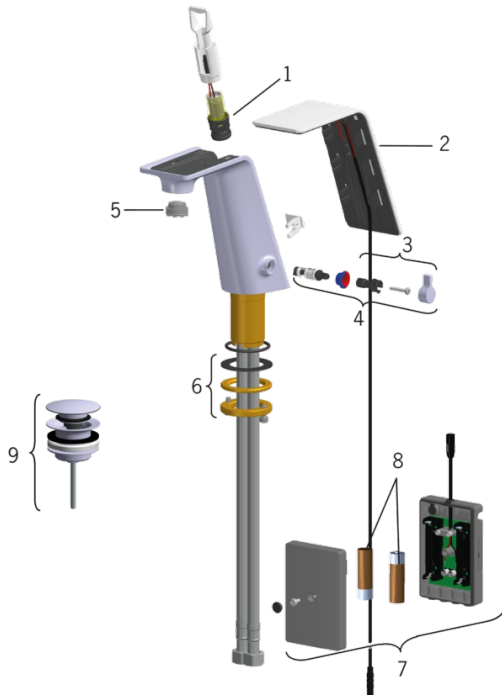


reddot award 2016
winner





Spare parts



SP8710F

	Name	Code
01	Solenoid valve complete	601697V
02	Cover full	601711V
03	Temperature control handle	601709V
04	Temperature regulator	601707V
05	Aerator and key, M21.5x1 HC B	601920V
06	Fixing nut kit	859114V
07	Control unit, 3 V	601807V
08	Battery, 1,5 V AA Lithium	600599V
09	Rapid pop-up waste	159056V