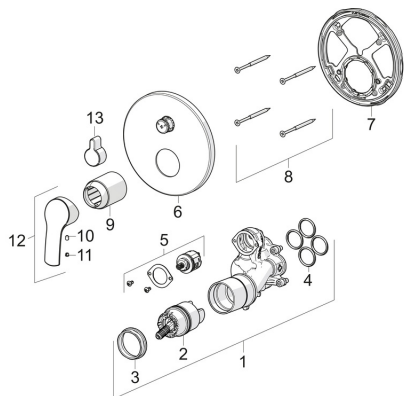


EAN: 6414150079306
static.oras.com/1044C

Spare parts



SP1044C

	Name	Code
01	Functional unit Discontinued	602653V
02	Cartridge	158890
03	Tightening nut	158726
04	O-ring, 23.47x2.62	602649V
05	Diverter and cartridge	198282V
06	Cover flange Chrome Discontinued	602654V
07	Fixing part Discontinued	602655V
08	Screw, M4.5x80 Discontinued	602652V
09	Cover sleeve Chrome	602637V
10	Screw, M4x8	601894V
11	Symbol plug	159020/10
12	Lever Chrome	602502V
13	Diverter knob Chrome Discontinued	602014V