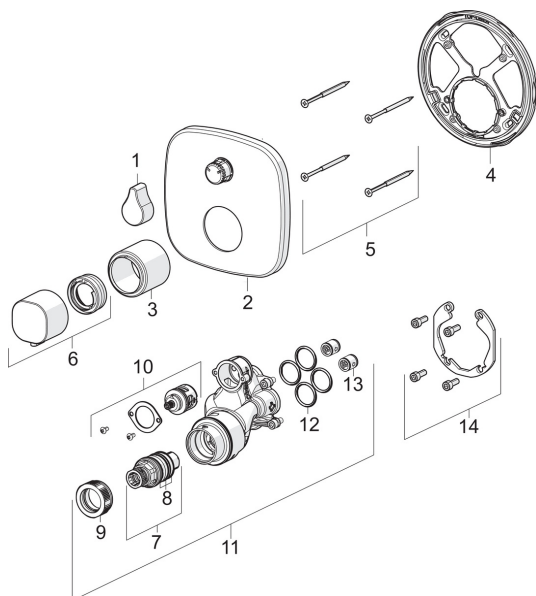


EAN: 6414150086137
static.oras.com/2068

Spare parts

SP2068



	Name	Code
01	Flow control handle Chrome	1002599V
02	Cover plate, 154x154 mm Chrome	1002651V
03	Cover sleeve Chrome Discontinued	602664V
04	Fixing part Discontinued	602655V
05	Screw, M4.5x80	602652V
06	Temperature control handle Chrome Discontinued	602012V
07	Thermostatic cartridge	178780V
08	O-ring kit	178796V
09	Tightening nut, M36x1.5, SW38 Discontinued	178706V
10	Diverter and cartridge	198282V
11	Functional unit Discontinued	602666V
12	O-ring, 23.47x2.62	602649V
13	Non-return valve	601989V
14	Installation kit	602646V