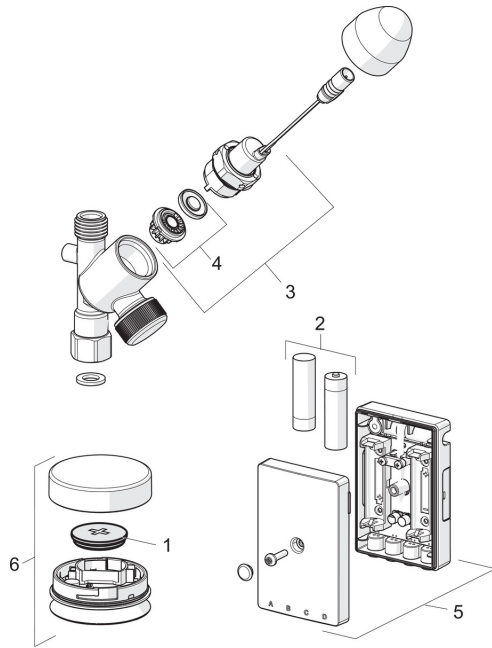


Spare parts

SP272100



	Name	Code
01	Battery, CR2450 3 V Lithium	601468V
02	Battery, 1.5 V AA Lithium	600599V
03	Pilot valve, 3 V	601884V-F
04	Membrane	601512V
05	Control unit, 3 V	601825V
06	Push button, 3 V Chrome	601823V