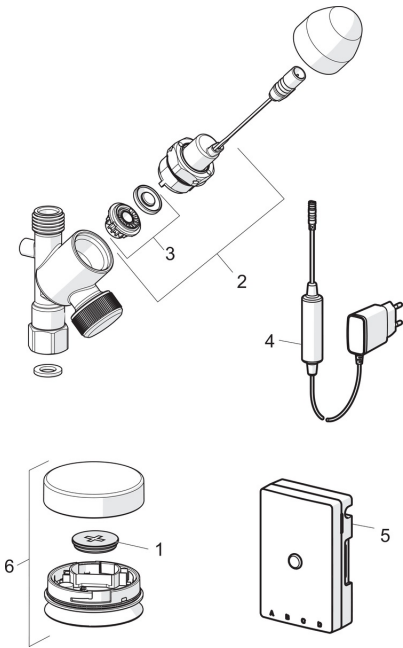


Spare parts

SP272101



	Name	Code
01	Battery, CR2450 3 V Lithium	601468V
02	Pilot valve, 3 V	601884V-F
03	Membrane	601512V
04	Power supply	601472V
05	Control unit, 230/5 V	601824V
06	Push button, 3 V Chrome	601823V