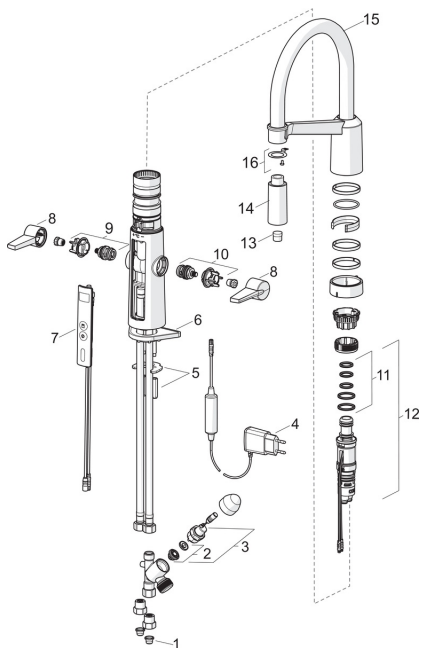


EAN: 6414150079559
static.oras.com/2729F

Spare parts



SP2729F

	Name	Code
01	Litter filters	199257/2
02	Membrane	601512V
03	Solenoid valve complete	601307V
04	Power supply	601472V
05	Fixing plates with nuts	158697
06	Supporting plate, 100x60mm	158825
07	User interface	601223V
08	Lever	601094/2
09	Headpart for hot water	601092V
10	Headpart for cold water	601091V
11	Sealing kit	601072V
12	Temperature regulator	1003246V
13	Aerator Chrome	1000972V
14	Shower head Chrome	1001321V
15	High spout Chrome	1002660V
16	Fixing part	1001323V