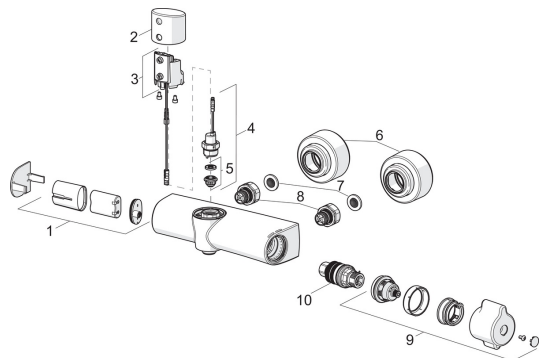


EAN: 6414150096228
static.oras.com/5670U

Spare parts



SP5670U

	Name	Code
01	Battery casing	199438V
02	Sensor holder Chrome	1006102V
03	Sensor, 6/9/12 V Bluetooth	1008025V
04	Solenoid valve, 3 V	1006792V
05	Membrane	199240V
06	Cover flange Chrome	1006473V
07	Filter sealing, G3/4, DN20	178375V
08	Combiner	602438/2
09	Temperature control handle Chrome	1006058V
10	Thermostatic cartridge	178780V