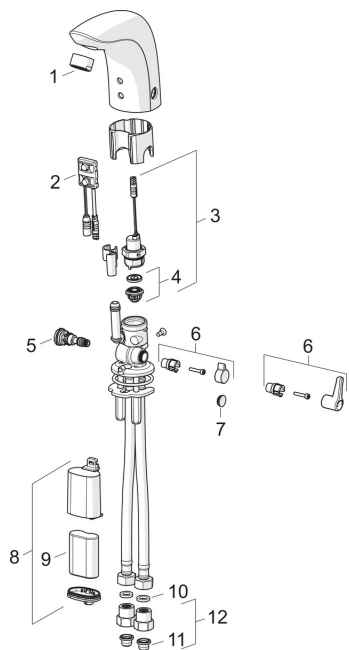


Spare parts

SP6150F



| | Name | Code |
|----|---|-----------|
| 01 | Aerator, M24x1, -104 | 601434V |
| 01 | Aerator, M24x1, -102 | 601255V |
| 01 | Aerator, M24x1, -105 | 601166V |
| 01 | Aerator, M24x1, 6 l/min Chrome | 199266V |
| 02 | Sensor, 6/9/12 V Bluetooth | 1001424V |
| 02 | Sensor, 6 V Discontinued | 600659V |
| 02 | Sensor, 6 V, -080 | 601030V |
| 03 | Solenoid valve | 199206V |
| 04 | Membrane support ring | 199205V |
| 05 | Temperature regulator | 199201V |
| 06 | Temperature control handle, L=37 Chrome | 1005158V |
| 06 | Temperature control handle, L=15 Chrome | 199212V |
| 07 | Mixing plug Chrome | 199208V |
| 08 | Battery casing | 199417V |
| 09 | Lithium battery, 2CR5 6 V | 198330 |
| 10 | Gasket, 8x14.3x2 | 600705/10 |
| 11 | Litter filters | 199257/2 |
| 12 | One-way valve with litter screen Chrome | 198473/2 |