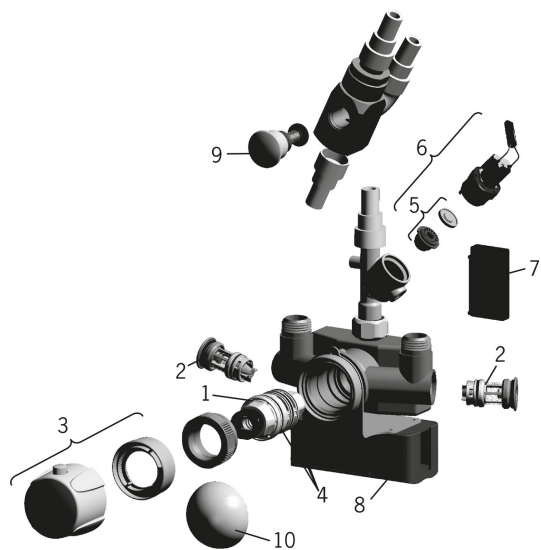


Spare parts



SP6662FT

	Name	Code
01	Thermostatic cartridge	178780V
02	One-way valve with litter screen	178295
03	Temperature control handle Chrome	178794V
04	O-ring kit	178796V
05	Membrane support ring	199205V
06	Solenoid valve	199206V
07	Sensor, 6 V	600200V
08	Power source box, 12 V	199387V
09	Diverter Chrome	209695
10	Protective cap Chrome	199276V