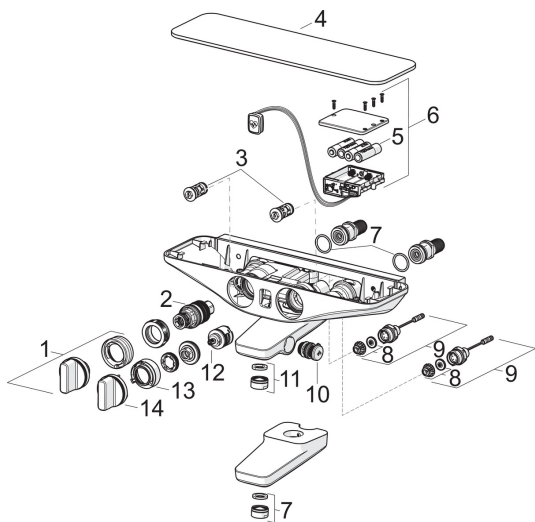


EAN: 6414150083037
static.oras.com/7542U-11

Spare parts



SP7542U-11

	Name	Code
01	Temperature control handle Chrome Discontinued	1000791V
02	Thermostatic cartridge	178780V
03	One-way valve with litter screen, (9/2018-)	1004950V
03	One-way valve with litter screen	602346V
04	Cover plate White	1000526V
05	Battery, 1.5 V AA Lithium	600599V
06	Control unit, 6 V /Wellfit/Bluetooth	1000858V
07	O-ring, 25.07x2.62	602674V
08	Membrane support ring	199205V
09	Solenoid valve	199206V
10	Diverter	1002394V
11	Aerator, M24x1 D Chrome	602104V
12	Diverter and cartridge	198282V
13	Flow limiter Discontinued	1003518V
14	Flow control handle Chrome Discontinued	1000716V