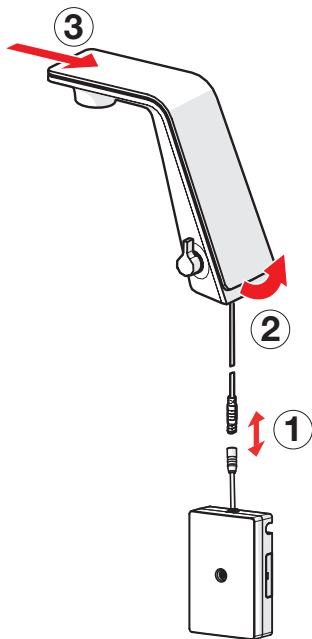


601709V, 601707V

1



2



ILBAGNO **ALESSI**
by 

ORAS GROUP
Isometsäntie 2, P.O. Box 40
FI-26101 Rauma
Finland

Tel. +358 2 83 161
Fax +358 2 831 6300
info.finland@oras.com
www.oras.com

943196/02/16

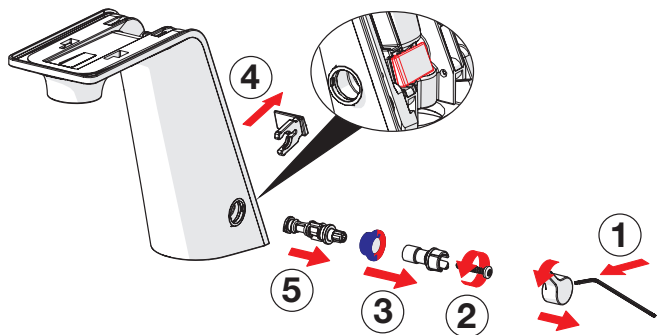


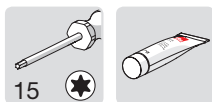
②



⑤

③





④

①

④

