

## Changing the drink water dispenser (small, printed circuit board)

### Removing a damaged drink water dispenser

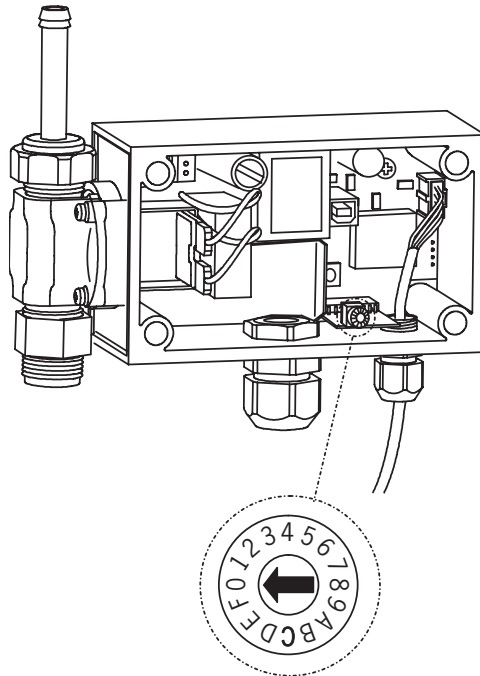
- Open the control box.
- Remove the drink water dispenser e.g. by carefully prying off with a small screwdriver.

### Installing a new drink water dispenser

- Place the new drink water dispenser to the printed circuit board.
- Close the control box.

### NOTE! The new drink water dispenser must be installed the same way than the old one:

- Check the drink water dispenser's position carefully before attaching it to the printed circuit board (see the image below!).
- Check that the rotary switch is adjusted to the same flow period.



**ORAS GROUP**  
Isometsäntie 2  
P.O. Box 40  
FI-26101 Rauma  
Finland  
Tel. +358 2 83 161  
Fax +358 2 831 6300  
Info.Finland@oras.com



[www.oras.com](http://www.oras.com)

945523/05/12