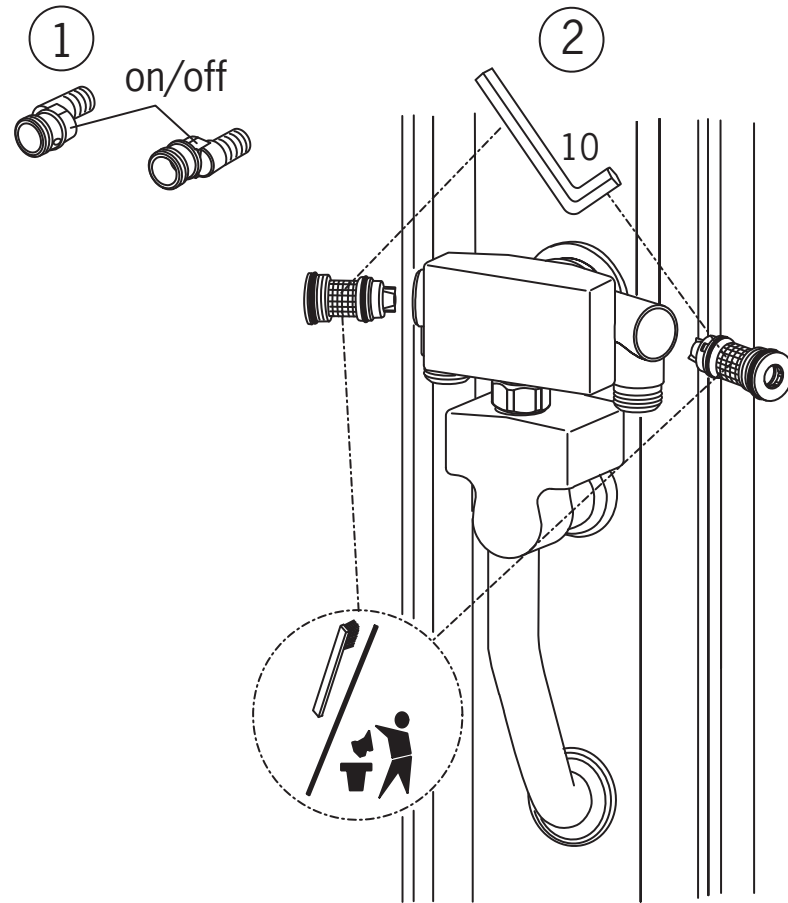
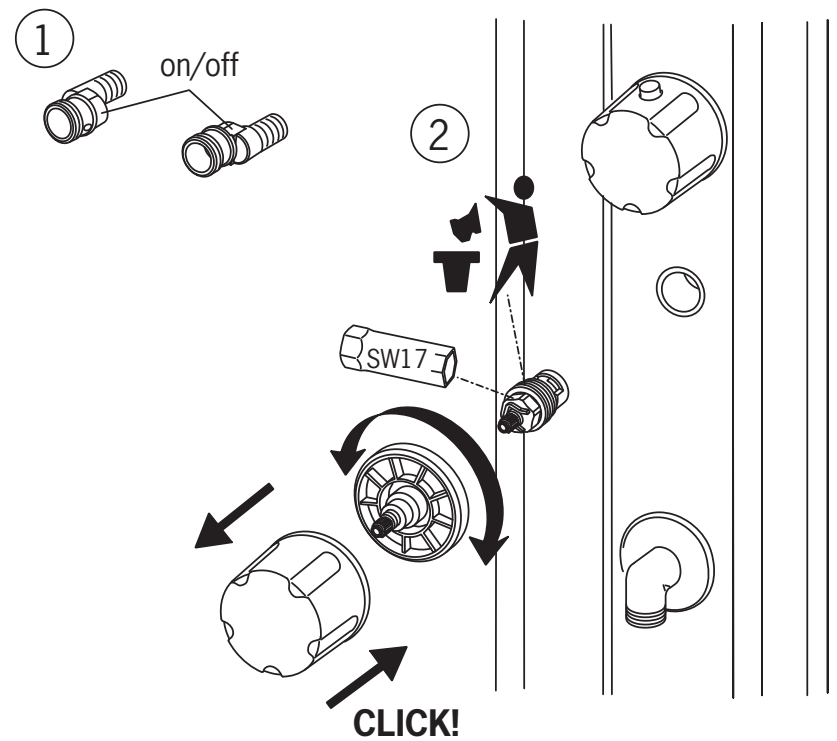


- **Reinigung/Wechsel der Filter**
- **Cleaning/changing the litter filters**
- **Rensning/udskiftning af filtre**
- **Prügipüüduri puhastamine/vahetamine**
- **Roskasiivilöiden puhdistaminen/vaihtaminen**
- **Dubļu filtru tīrīšana/maiņa**
- **Filtrų valymas ar pakeitimas**
- **Rensing/bytting av filter**
- **Очистка и замена уплотнительных фильтров**
- **Rengöring/byte av smutsfilter**

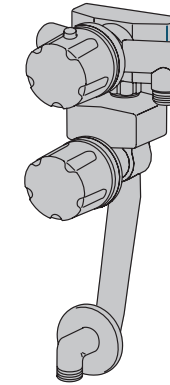


- **Auswechseln der keramischen Oberteile**
- **Changing the operating valve**
- **Udskiftning af topstykker**
- **Seadeventiili vahetus**
- **Käyttöventtiilin vaihto**
- **Ūdens plūsmas ventīļa maiņa**
- **Vandens srauto reguliavimo ventilio pakeitimas**
- **Bytting av overdel**
- **Замена узла управления потоком воды**
- **Byte av kranöverdel**



## Installation and Maintenance Guide

7480



Water Is Worth Loving.

Oras is a significant developer, manufacturer and marketer of sanitary fittings. Since its founding in 1945 the company has introduced high-quality design products featuring user-friendly technical solutions that contribute to savings of water and energy. As early as in the in the 1990s, Oras introduced the first touchless electronic faucets in the market.

Oras is owned by Oras Invest, a family company. In September 2013 Oras acquired Hansa Metallwerke AG, a German faucet manufacturer, with its subsidiaries, and together the companies form the new Oras Group. The head office of the Group is located in Rauma, Finland, and the company's factories are located in Rauma, Burglengenfeld (Germany), Kralovice (Czech Republic) and Olesno (Poland). The Group employs about 1 400 people.

Det Norske Veritas Certification OY/AB certifies that the Quality Management System of Oras Oy in Rauma Finland, conforms to the ISO 9001, the Environmental Management System to the ISO 14001 standard and the Occupational Health and Safety System to the OHSAS 18001 standard. The certificates are valid for development, manufacture, marketing, sales and after sales services of faucets, accessories and valves.

The TÜV CERT Certification Body of TÜV NORD Zertifizierungs- und Umweltgutachter Gesellschaft mbH certifies that the Quality Management System of Oras Olesno Sp. z o.o. in Olesno Poland, conforms to the ISO 9001, the Environmental Management System to the ISO 14001 standard and the Occupational Health and Safety System to the OHSAS 18001 standard. The certificates are valid for manufacture, storage, marketing, sales and after sales services of faucets, valves and accessories.



**ORAS GROUP**  
Isometsäntie 2, P.O. Box 40  
FI-26101 Rauma  
Finland  
Tel. +358 2 83 161  
Fax +358 2 831 6300  
Info.Finland@oras.com

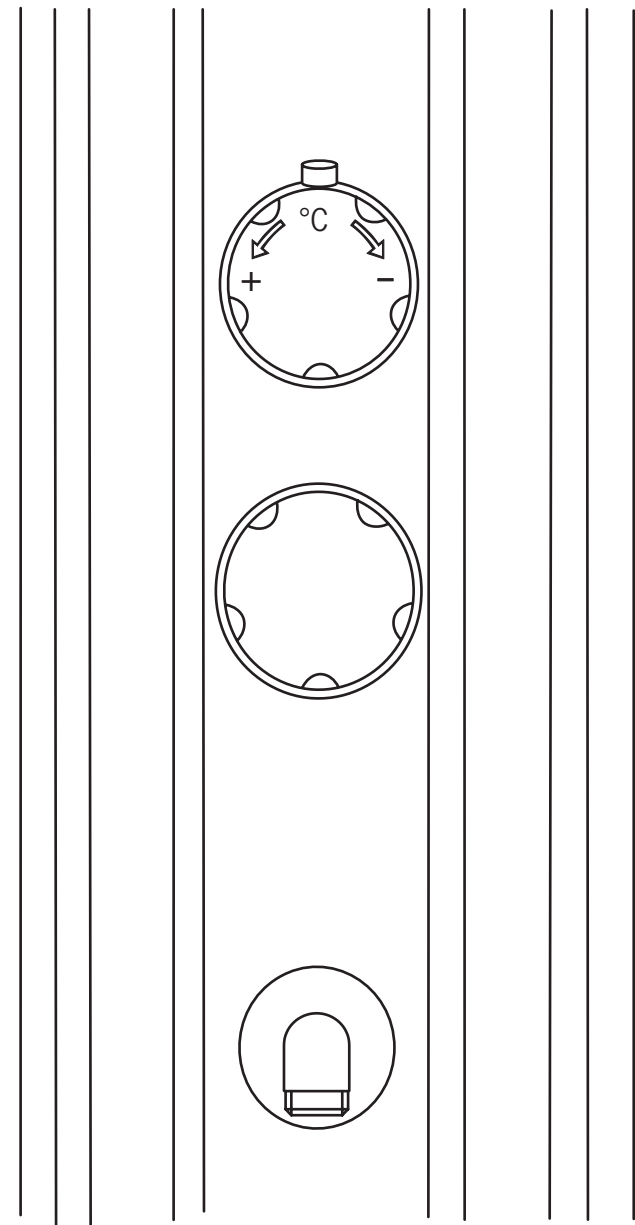


www.oras.com

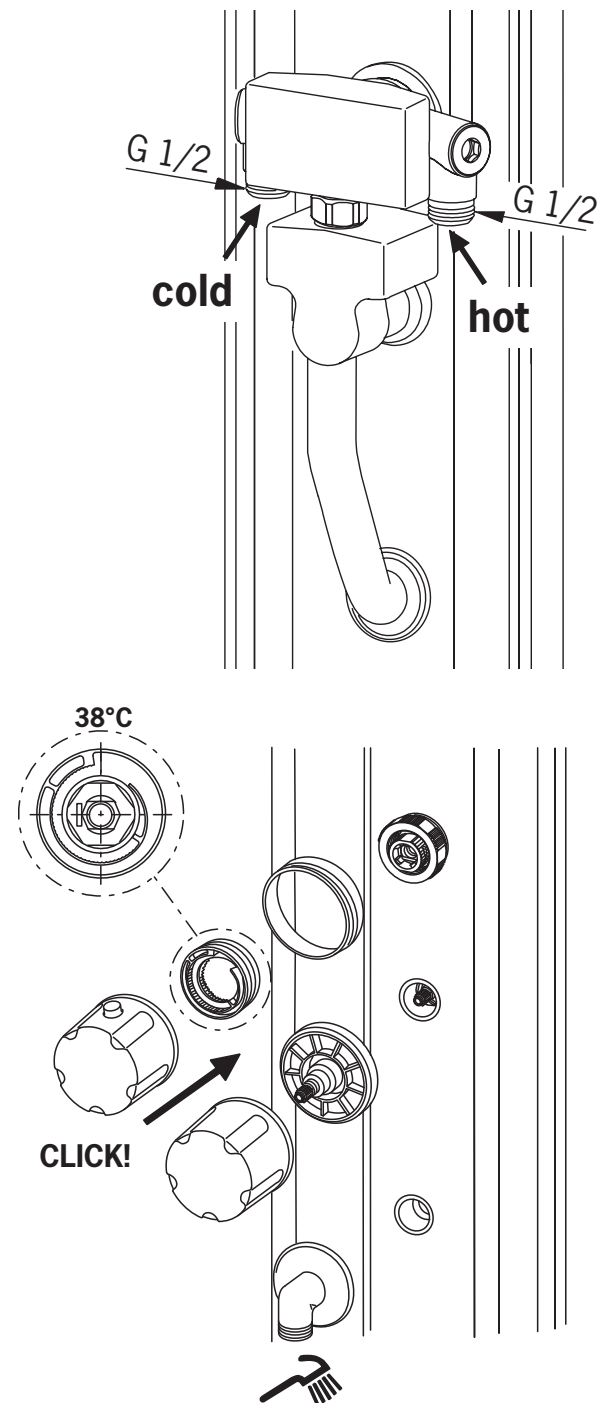
• Technische Daten • Technical data • Tehniskie dati • Tehnilised andmed • Tekniset tiedot • Dati tecnici • Tehniskie dati  
 • Teknisk data • Технические данные • Tekniska data •

Arbeitsdruck Working pressure Arbejdstryk Kasutamissurve Käyttöpaine Darba spiediens Darbinis spaudimas Arbeidstrykk Рабочее давление, кПа Arbetstryck	Durchfluß bei 300 kPa Flow-rate at 300 kPa Vandmængde ved 300 kPa Vooluhulk 300 kPa Virtaama 300 kPa Darba spiediens Darbinis spaudimas Fløde ved 300 kPa Расход воды (300 кПа), л/с Flöde vid 300 kPa	Druckverlust Pressure loss Tryktab Rõhukadu Painehäviö Spiediena zudumi Spaudimo praradimas Tryckfall Потеря давления, кПа Tryckfall	max. Wassertemperatur Water temperature Varmtvands temperatur Vee temperatuur Käyttöveden lämpötila Max üdens temperatūra Maksimali vandens temperatūra Varmtvann Макс. температура горячей воды Varmvattenanslutning	Geräuschklasse Noise class Støjklasse Hääleklass Ääniluokka Trokšņu klase Triukšmo klasė Støyklasse Уровень шума Ljudklass
150 – 1000 kPa	0.23 l/s 	230 kPa (0.2 l/s)	max. +80°C	I (ISO 3822)

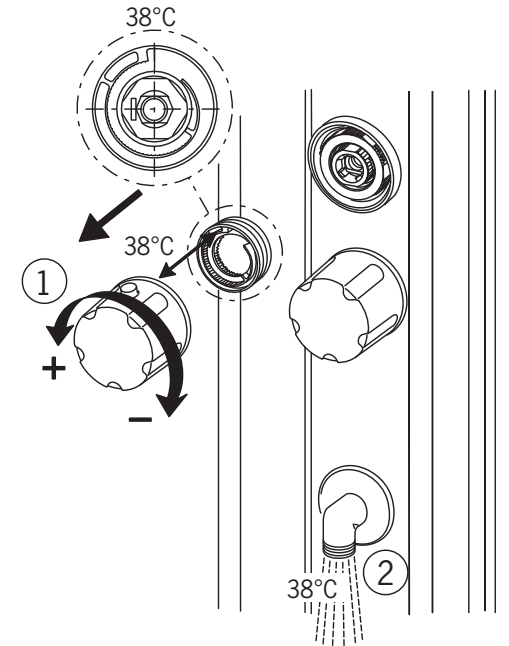
• Funktion • Operation • Betjening • Toimimine  
 • Toiminta • Darbības princips • Veikimo principas  
 • Funksjon • Принцип действия • Funktion •



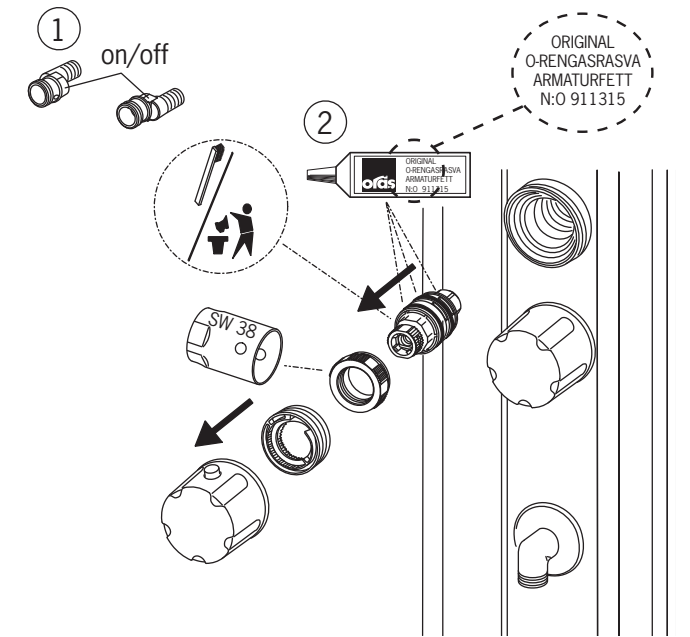
• Montage • Installation • Installation • Paigaldus • Asennus  
 • Montāža • Montavimas • Montering • Установка • Installation •



- Temperatureinstellung am Montageort
- Temperature adjustment
- Justering af temperaturer på installationsstedet
- Temperatuuri seadmine vajadusel
- Lämpötilan säätö tarvittaessa
- Temperatūras regulēšana
- Temperatūros nustatymas (gamyklos nustatymas 38°C)
- Justering av temperaturen ved sperreknappens
- Регулировка температуры
- Justering av blandningstemperatur



- Wartung der Kartusche
- Servicing the cartridge
- Service på termostatdelen
- Seadeosa hooldus
- Säättöosan huolto
- Temperatūras regulēšanas kasetes tīrīšana/maiņa
- Termostato techninis aptarnavimas
- Service på termostatdelen
- Техобслуживание узла регулировки
- Service av reglerinsats i blandaren



- Ersatzteile
- Spare parts
- Reservedele
- Varuosad
- Varaosat
- Rezerves daļas
- Atsarginės dalys
- Reservedeler
- Запасные части
- Reservdelar

178799V	
pcs	Oras no
1	178750
1	178765
1	178780V
1	109898
2	178295

