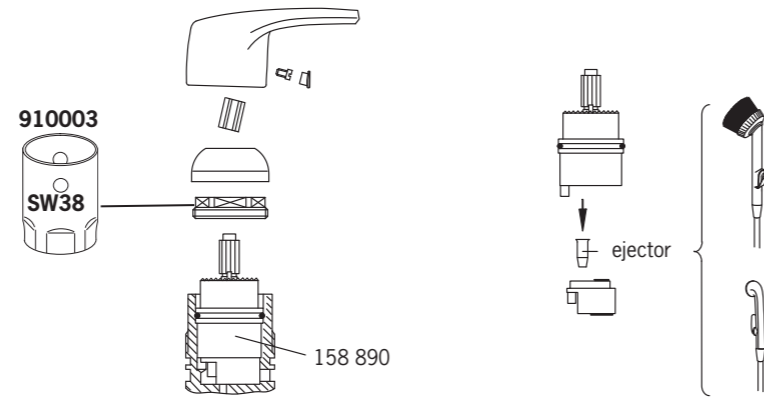
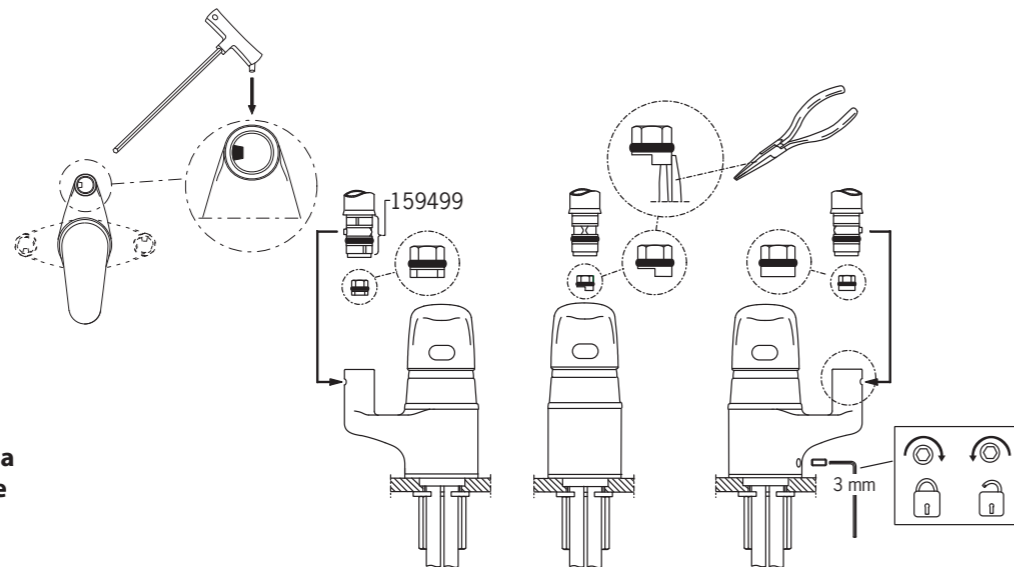


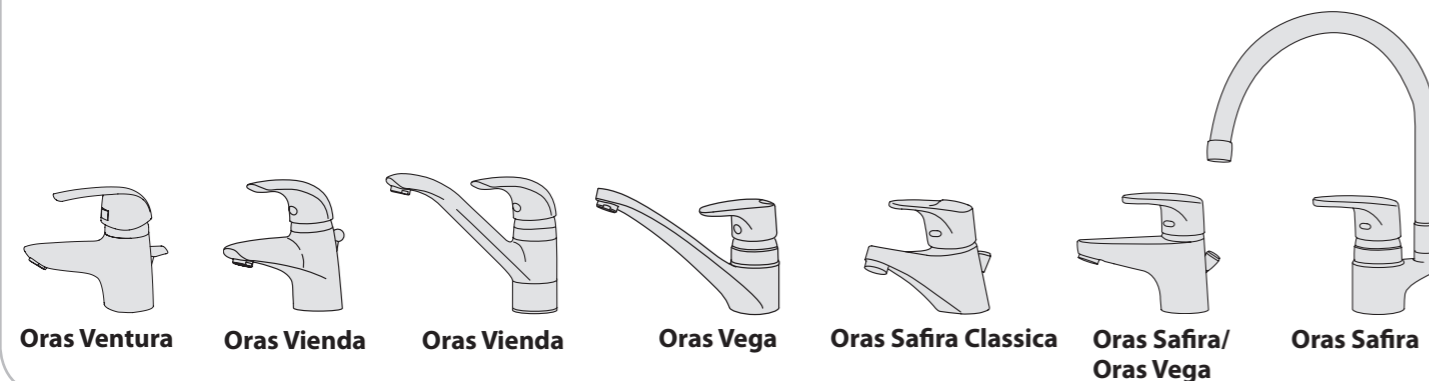
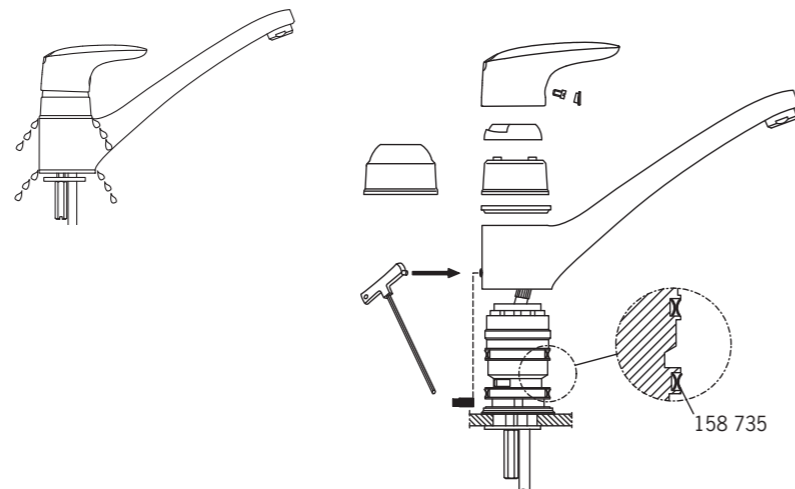
- DE Ein- und Ausbau der Kartusche
- GB To change the cartridge
- DK Udskiftning af reguleringskassette (unit)
- EE Seadeosa vahetus
- FI Säätöosan vaihto
- NL Vervangen van het keramische binnenwerk
- FR Montage et démontage de la cartouche
- IT Montaggio della cartuccia
- LV Regulēšanas mehānisma kasetes maiņa
- LT Valdanciosios kasetės pakeitimas
- NO Skifting av kassett
- PL Wymiana modułu sterującego
- RU Замена регулировочного блока
- SE Byte av kassett
- SK Výmena kartuše
- CZ Výměna kartuše



- DE Montage Auslauf
- GB Spout installation
- DK Montering af tud
- EE Jooksutoru paigaldamine
- FI Juoksuputken asennus
- NL Installatie uitloop
- FR Montage du bec
- IT Montaggio bocca
- LV Iztekas uzstādīšana
- LT Snapelio instaliavimas
- NO Montering av utloppspip
- PL Instalacja wylewki
- RU Установка излива
- SE Montering av tut
- SK Inštalácia výtokového ramena
- CZ Instalace výtokového ramene



- DE Austausch der Auslaufdichtungen
- GB Changing the spout's seals
- DK Udskiftning af svingtudens pakninger
- EE Jooksutoru tihendite vahetamine
- FI Juoksuputken tiivisteiden vaihto
- NL Lippendichtingen vervangen
- FR Remplacement des joints de bec
- IT Sostituzione delle guarnizioni delle bocca
- LV Iztekas un blīvslēgu maiņa
- LT Snapelio tarpinių pakeitimas
- NO Utbyte av manschettpakninger
- PL Wymiana uszczeltek wylewki
- RU Замена прокладок сливной трубы или замена сливной трубы
- SE Bytting av svingtutens pakninger
- SK Výmena tesnení
- CZ Výměna těsnění



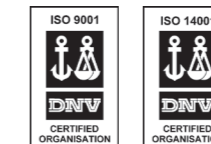
## Installation and Maintenance Guide Single lever faucets



Water Is Worth Loving.

Oras develops, manufactures and markets user-friendly and innovative faucet systems and the related valves and modules. The design and technical solutions of our products are driven by user-friendliness. Oras is the Nordic market leader and one of the Europe's largest manufacturers of faucets. The Oras Group has production facilities in Finland, Poland, and Norway. A large and versatile collection and alternatives for different purposes enable you to find the right faucet for every purpose. For the further details please apply to Oras web site at [www.oras.com](http://www.oras.com)

Det Norske Veritas Certification OY/AB certifies that the Quality Management System of Oras Oy in Rauma Finland, conforms to the ISO 9001:2000 and the Environmental Management System to the ISO 14001:2004 standard. The certificates are valid for development, manufacture, marketing, sales and after sales services of faucets, accessories and valves.



The TÜV CERT Certification Body of TÜV NORD Zertifizierungs- und Umweltgutachter Gesellschaft mbH certifies that Oras Olesno Sp. z o.o. in Olesno Poland has established and applies Quality and Environmental Management System for manufacture, storage, marketing, sales and after sales services of faucets, valves and accessories. Proof has been provided that the requirements according to ISO 9001:2000 and ISO 14001:2004 are fulfilled.

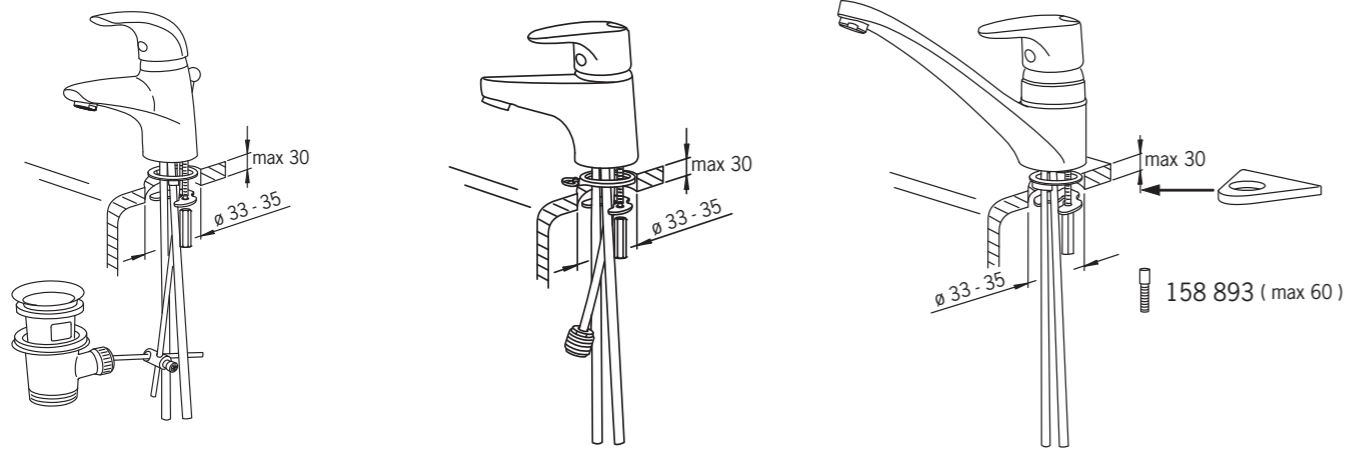


**ORAS LTD**  
Isometsäntie 2, P.O. Box 40  
FI-26101 Rauma  
Finland  
Puh. +358 (0)2 83 161  
Fax +358 (0)2 831 6300  
Info.Finland@oras.com

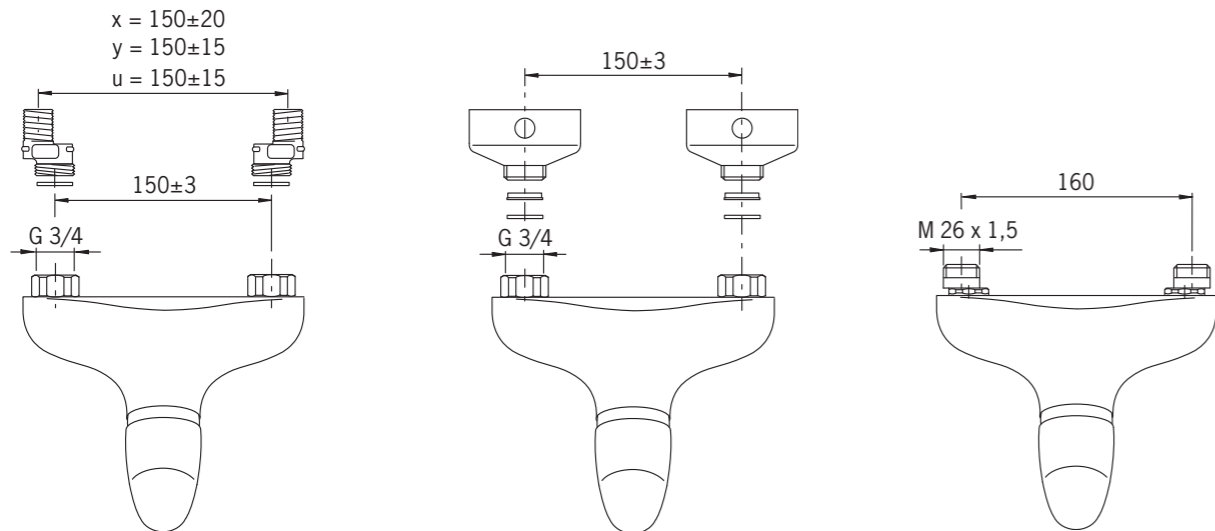
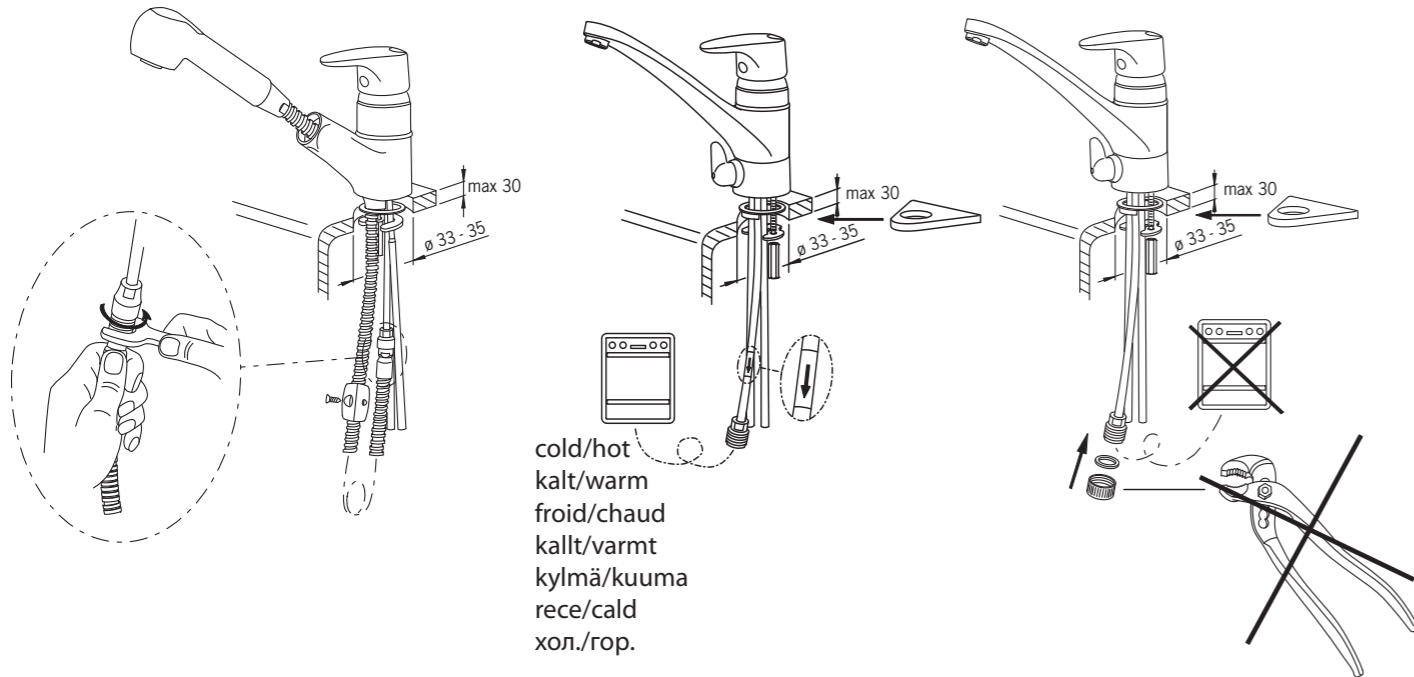


[www.oras.com](http://www.oras.com)

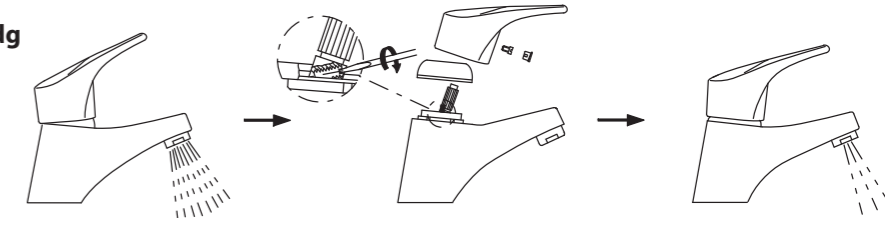
• Montage • Installation • Installation • Montaje • Paigaldus • Asennus • Installatie • Installation • Montaggio • Montáža  
 • Montavimas • Montering • Instalacja • Установка • Installation • Inštalácia • Montáž



**Oras Vega/Oras Vienda/Oras Safira**

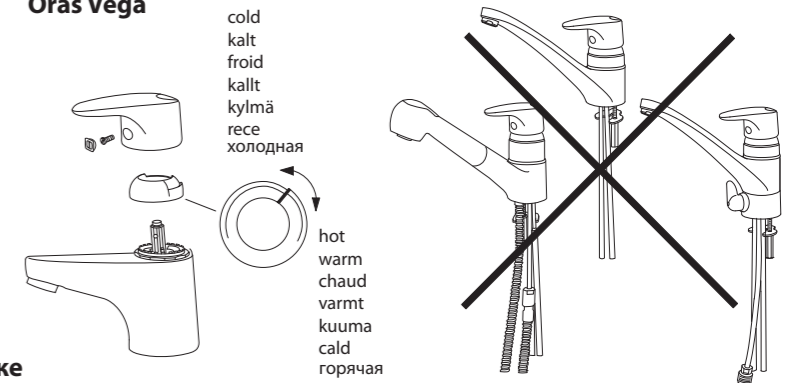


- DE Bergenzung der Durchflußmenge
- GB Limiting the flow rate
- DK Begrænsning af vandmængden
- EE Vooluhulga piiramine
- FI Virtaaman rajoitus
- NL Begrenzing van de doorstroomhoeveelheid
- FR Limitation du débit
- IT Limitazione della portata
- LV Ūdens plūsmas ierobežošana
- LT Vandens srovės reguliavimas
- NO Begrensning av vannmengden
- PL Ograniczenie wielkości strumienia
- RU Регулирование потока
- SE Flödesbegränsning
- SK Obmedzenie prietoku
- CZ Omezení průtoku



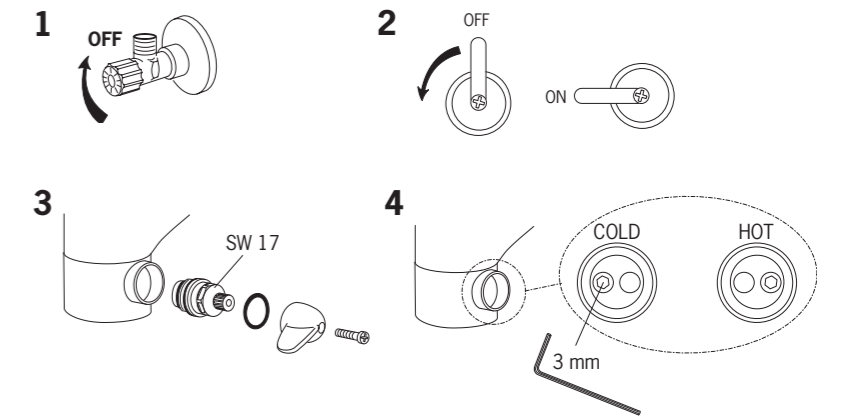
- DE Temperaturbegrenzung
- GB Limiting temperature
- DK Forindstilling af vandets max. temperatur
- EE Temperatuuri piiramine seadeosast
- FI Lämpötilan rajoitus
- NL Begrenzing temperatuur
- FR Limitation de la température
- IT Limitazione della temperatura
- LV Karstā ūdens temperatūras ierobežošana
- LT Temperatūros apribojimas
- NO Begrensning av vannets temperatur
- PL Ograniczenie temperatury
- RU Ограничение температуры в регулирующем блоке
- SE Begränsning av vattnets max. temperatur
- SK Obmedzenie teploty
- CZ Omezení teploty vody

**Oras Vega**



- DE Umstellung auf Warmwasseranschluß
- GB Changing for hot water
- DK Omstilling til varmt vand
- EE Paigaldamine külma vee asendisse
- FI Muuttaminen kuumalle vedelle
- NL Changelement pour arrivée eau chaude
- FR Valvole per lavastoviglie o lavatrici
- IT Per miscelatore per lavello
- LV Krano nustatymas karštam vandeniui
- LT Ventilio nustatymas karštam vandeniui
- NO Omstilling til varmt vann
- PL Zmiana na ciepłą wodę
- RU Перенастройка на подачу горячей вод
- SE Omställning till varmt vatten
- SK Prestavenie na teplú vodu
- CZ Přestavení na horkou vodu

**Oras Vega/Oras Safira/Oras Safira Classica**



**Oras Vienda**

